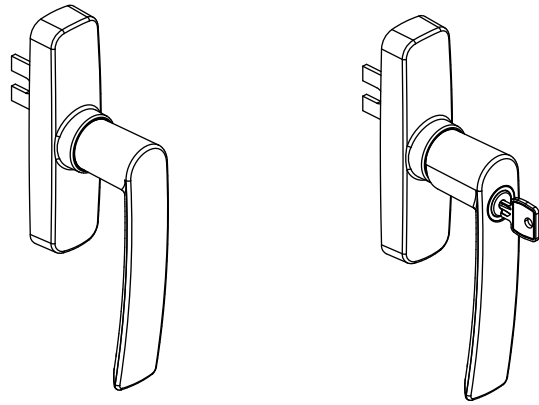


CREMONE BOLT

GEA

Art. 0530B
Art. 0531B
Art. 0531BK
Art. 0532AZ
Art. 0532BZ
Art. 0533B

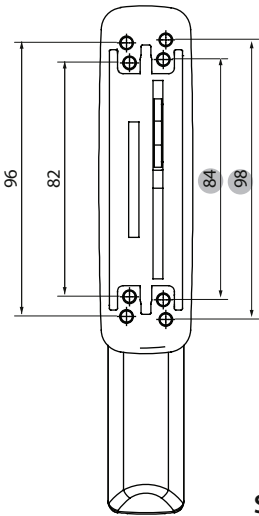


fapim[®]
Life in evolution

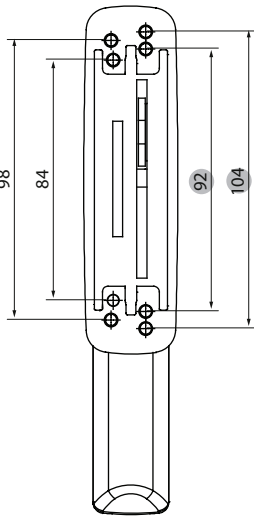
ULBM - Rev.01

Art. xxxx-A

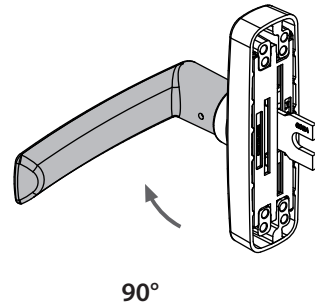
Art. xxxx-B



Standard

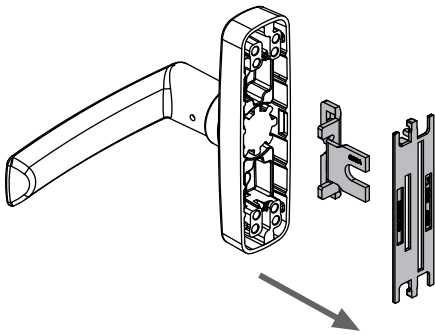


①

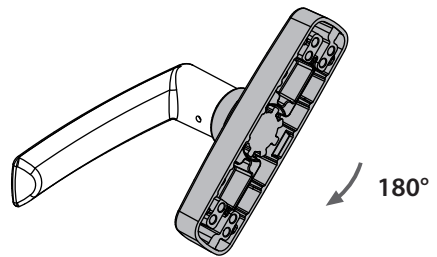


90°

②

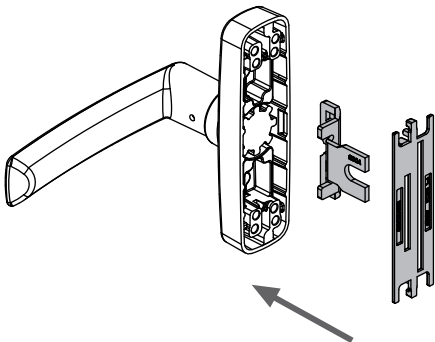


③



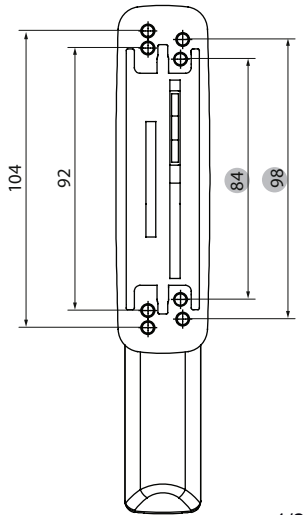
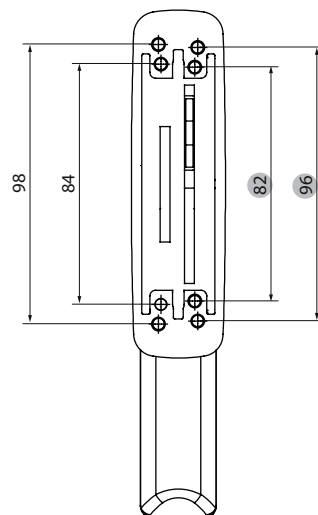
180°

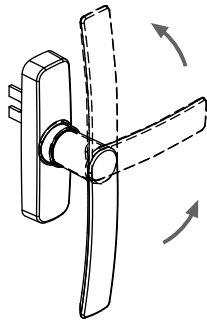
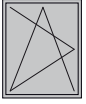
④



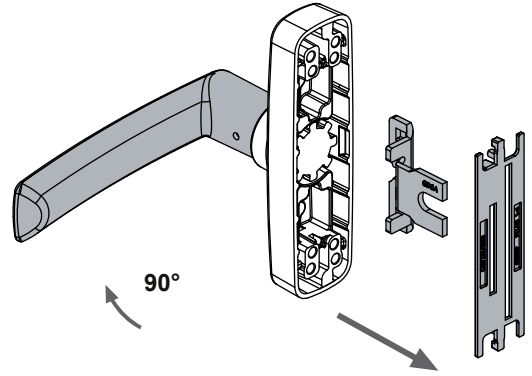
Art. xxxx-A

Art. xxxx-B

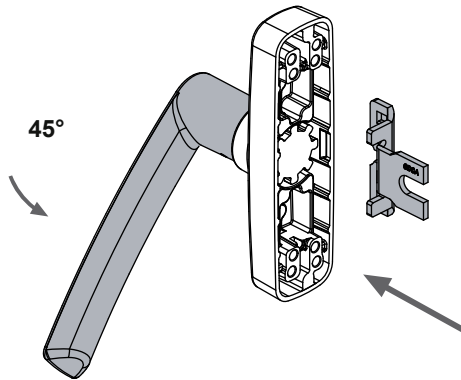




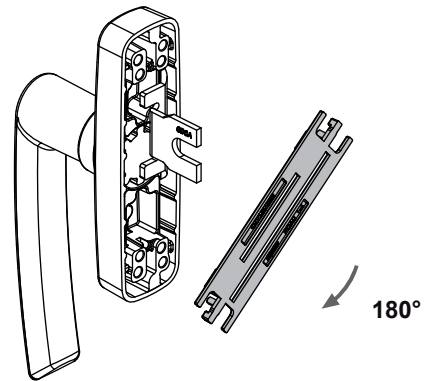
1



2



3



4

