

EN

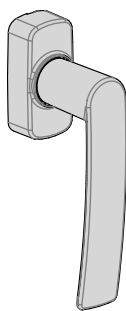
HANDLE FOR SLIDINGS

**TWENTY**

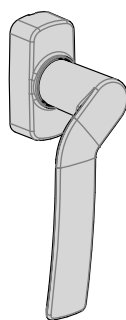
**fapim**<sup>®</sup>

Life in evolution

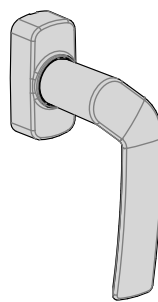
ULFN - Rev.02



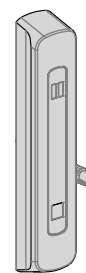
5040AA  
5040AB  
5040FA



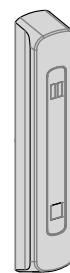
5040AL  
5040FL



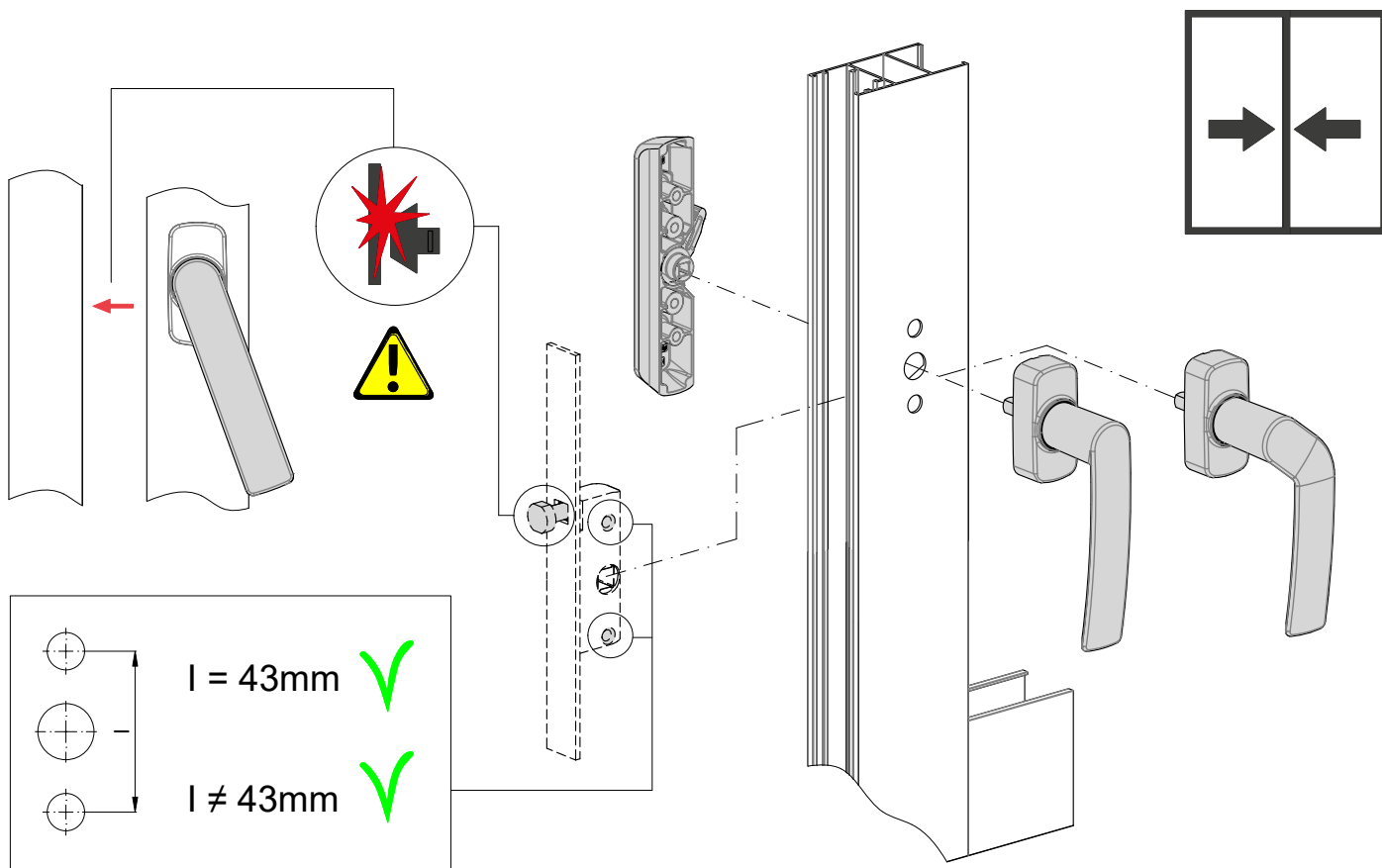
5040AR  
5040FR



5041A



5041F



2

PULL

3

PUSH

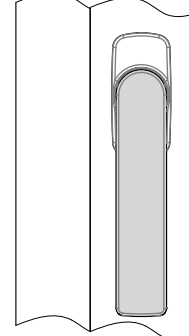
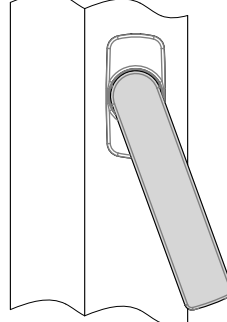
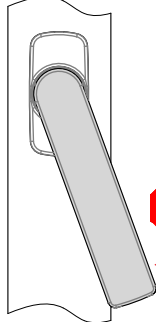
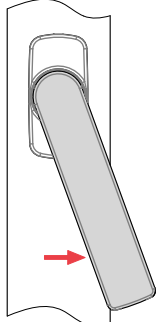
4

5



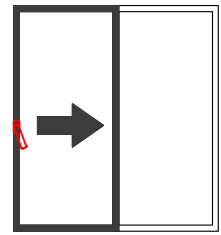
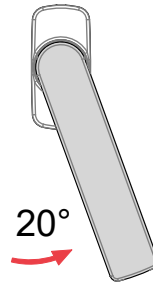
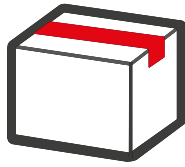
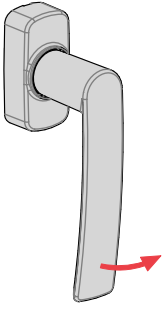
20°

1

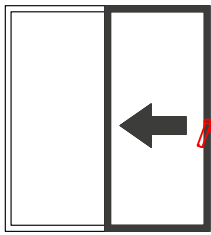


**fapim**<sup>®</sup>  
Life in evolution

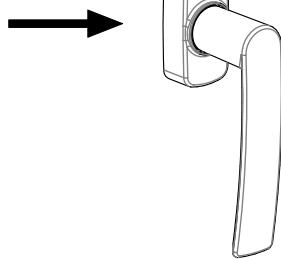
5040AA



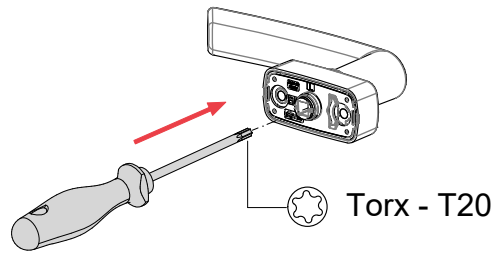
RIGHT



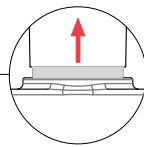
LEFT



1

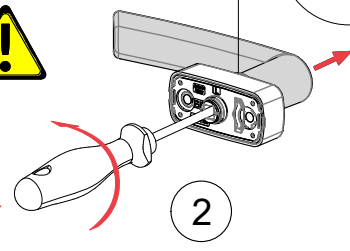


Torx - T20



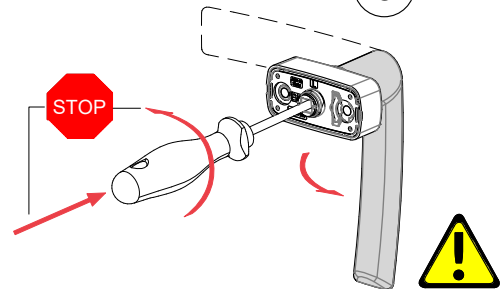
PUSH

2

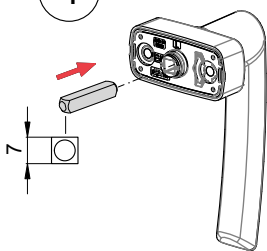


STOP

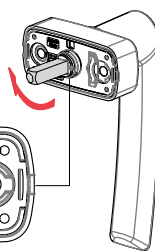
3



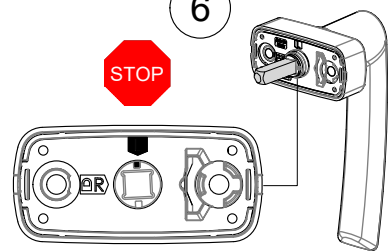
4



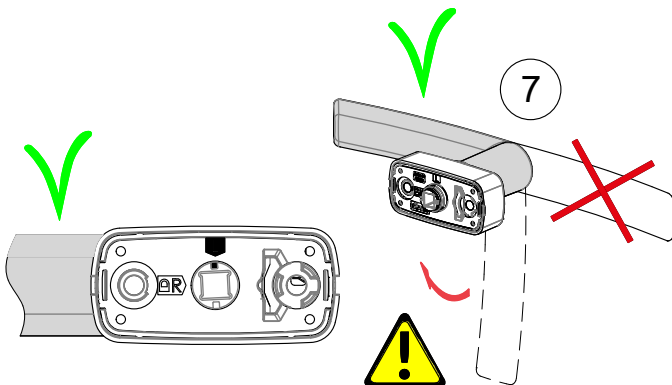
5



6



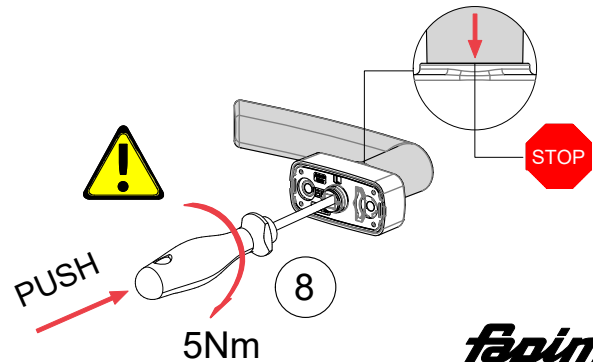
7



PUSH

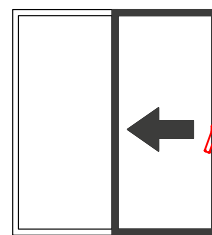
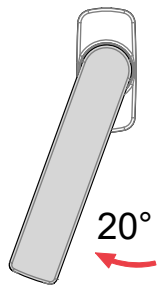
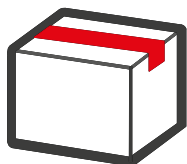
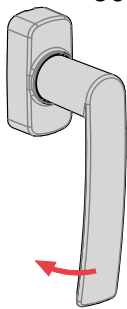
8

5Nm

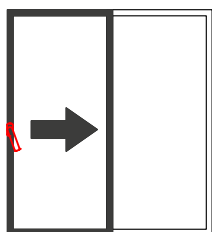


**fapim**  
Life in evolution

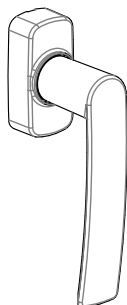
5040AB



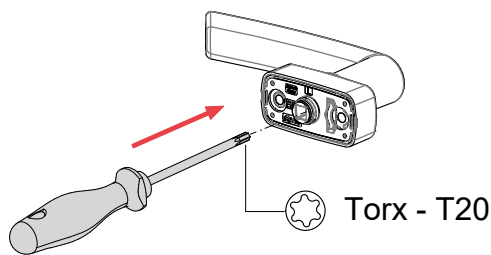
LEFT



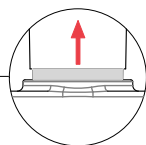
RIGHT



1

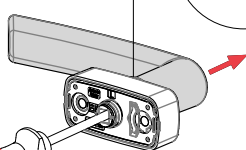


Torx - T20



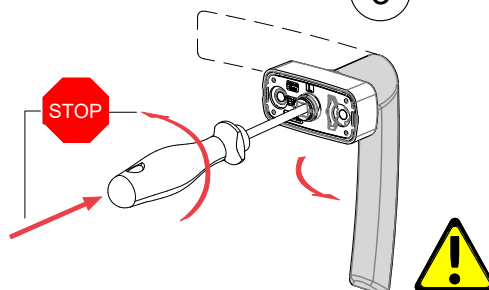
PUSH

2

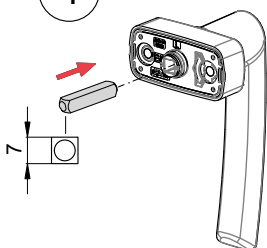


STOP

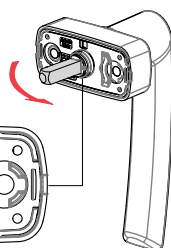
3



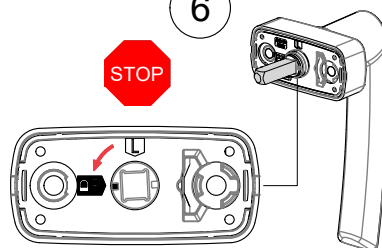
4



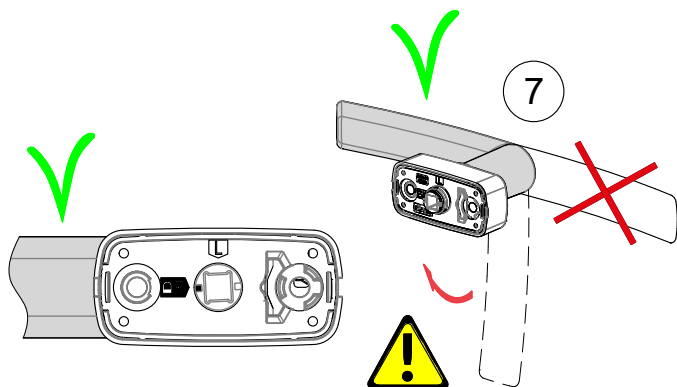
5



6



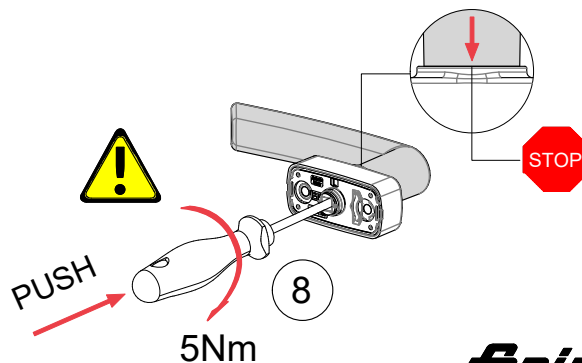
7



PUSH

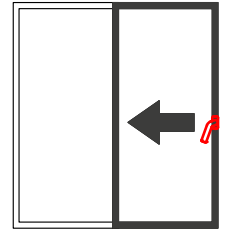
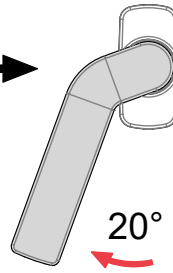
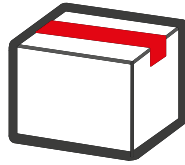
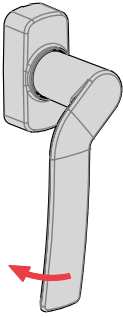
8

5Nm

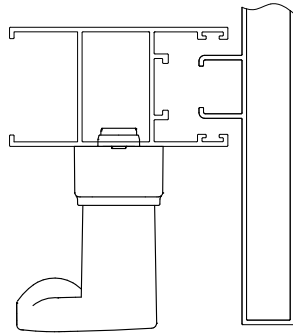


**fapim**

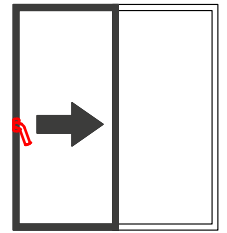
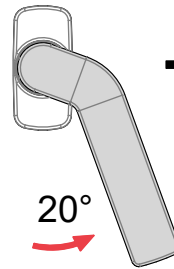
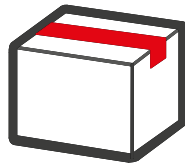
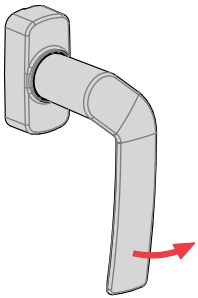
5040AL



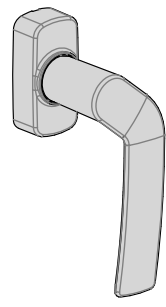
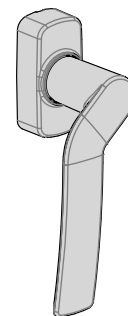
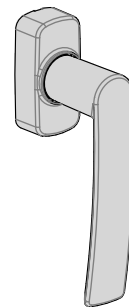
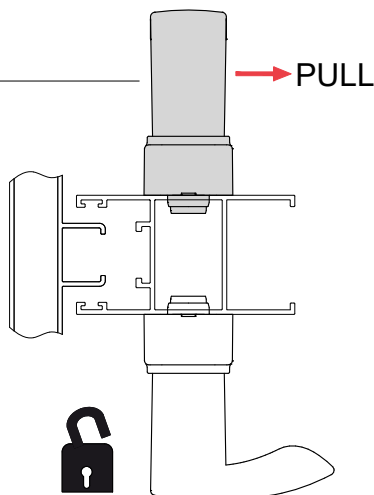
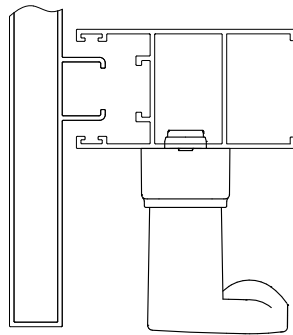
LEFT



5040AR

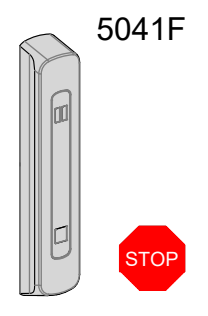
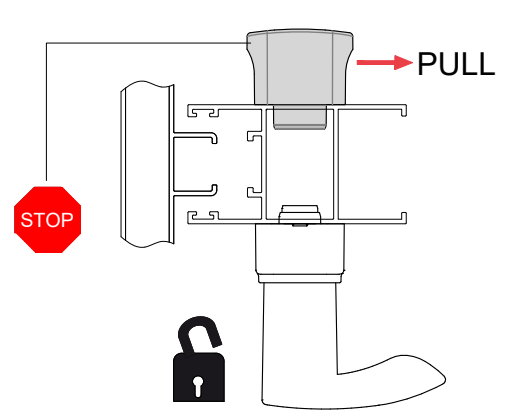
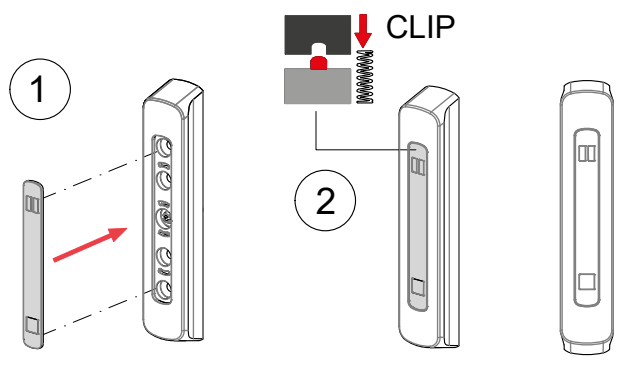
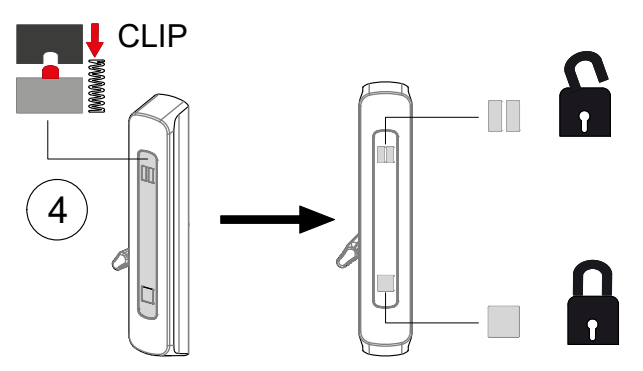
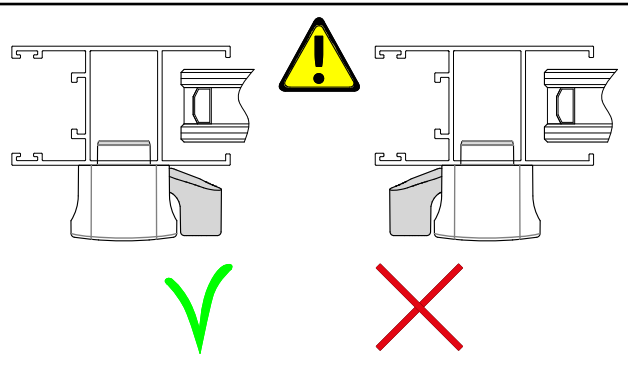
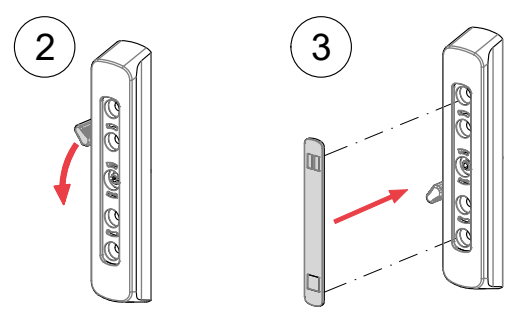
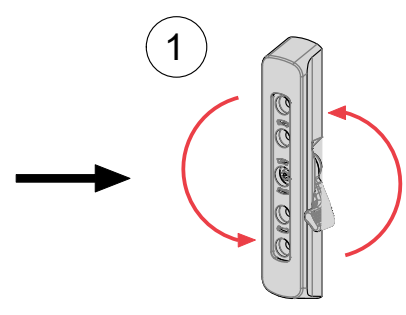
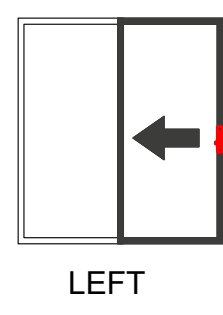
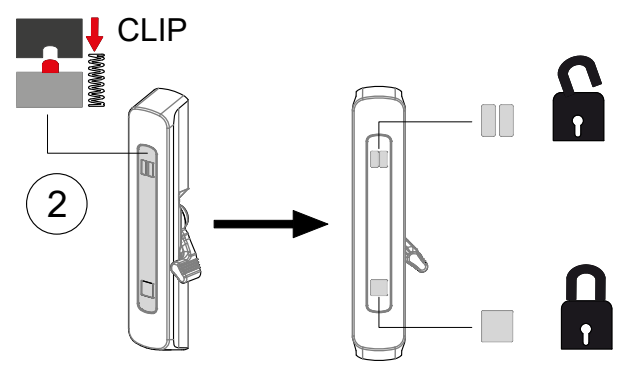
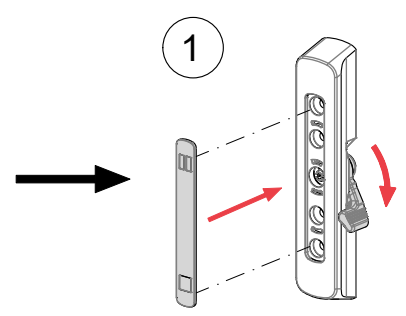
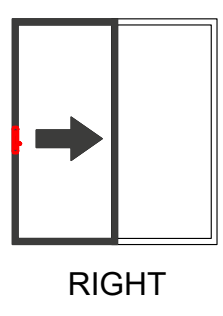
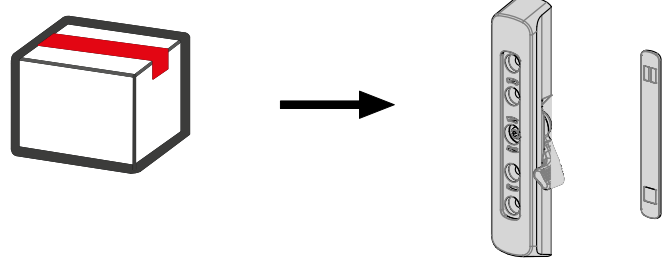
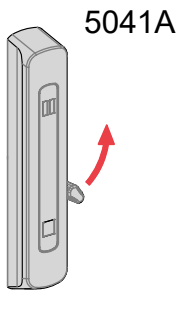


RIGHT

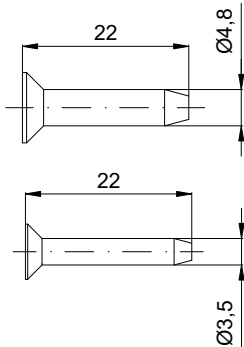
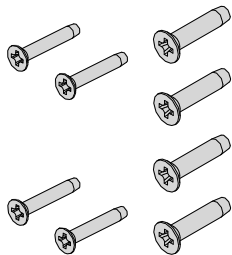


5040FA  
5040FR  
5040FL

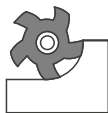
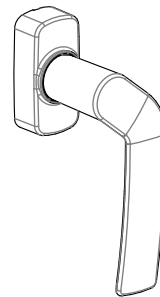
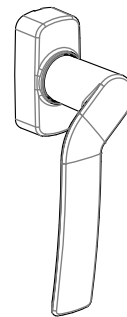
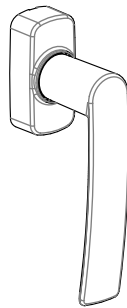




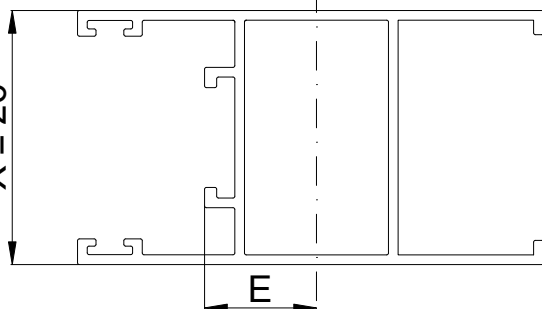
5043A



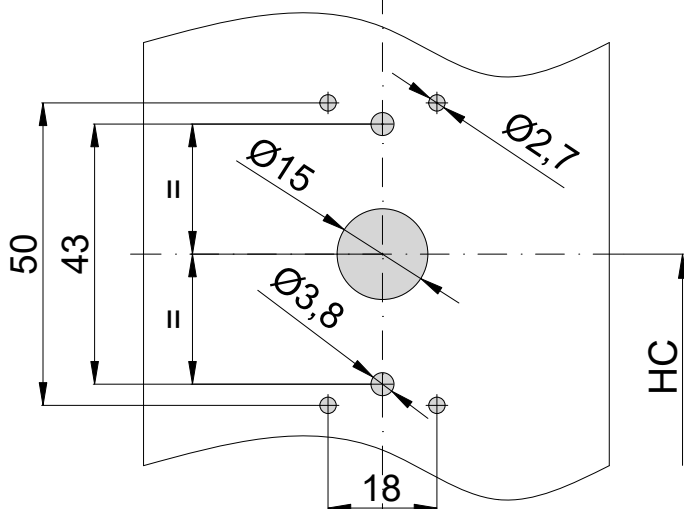
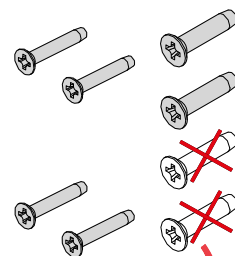
PH2



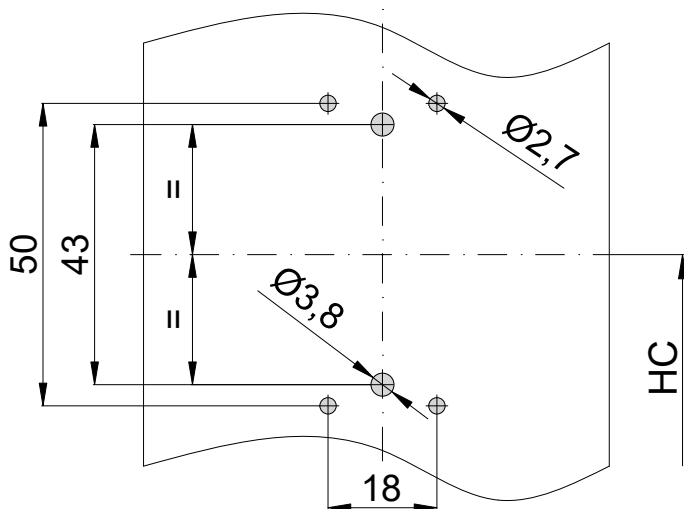
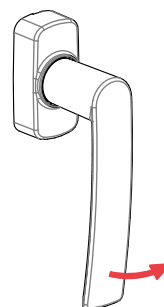
$X \geq 26$



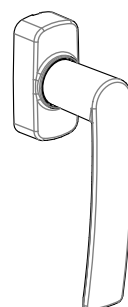
E



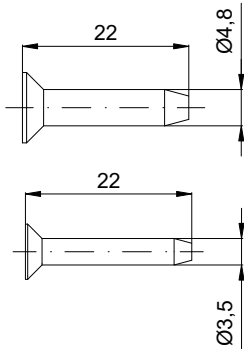
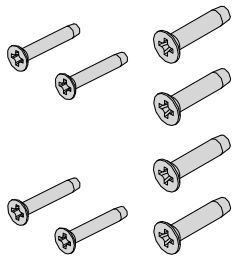
HC



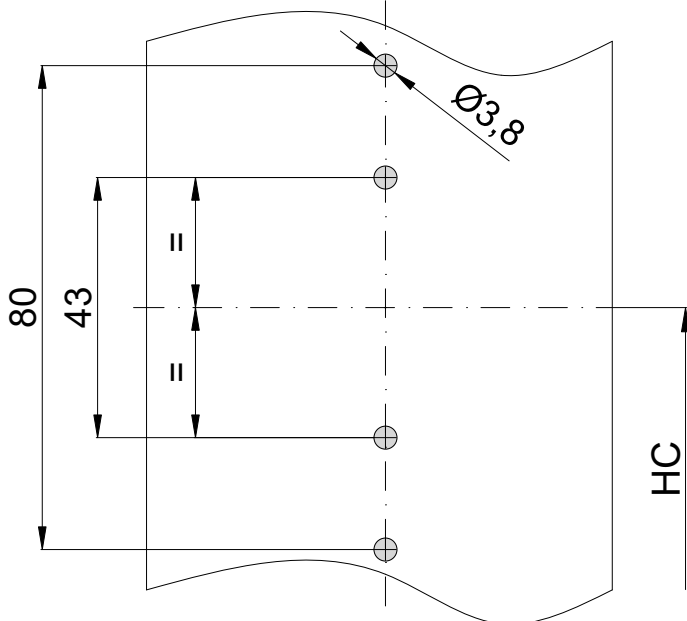
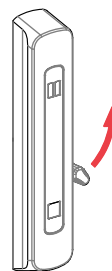
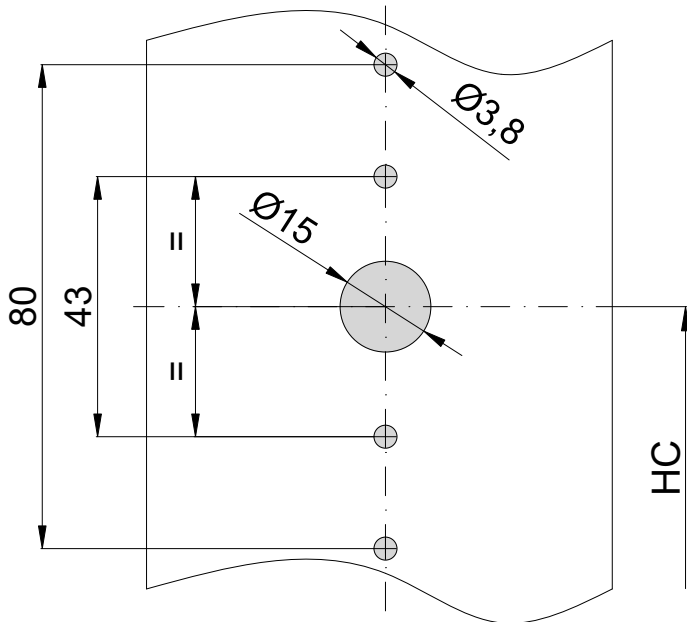
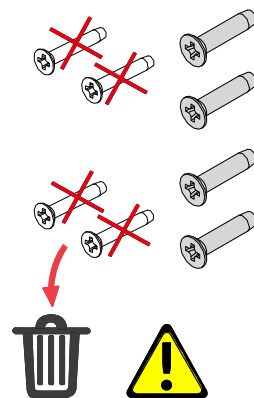
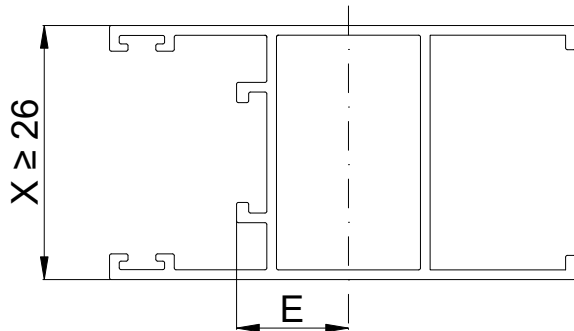
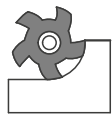
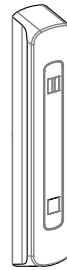
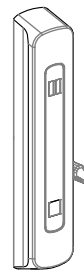
HC



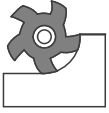
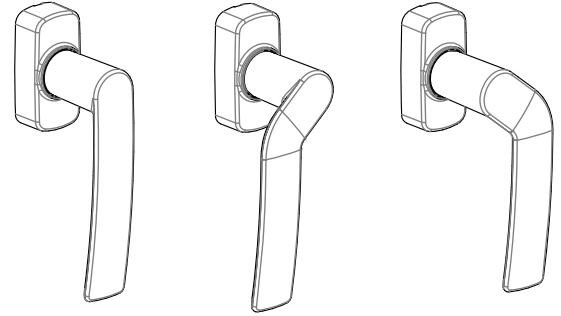
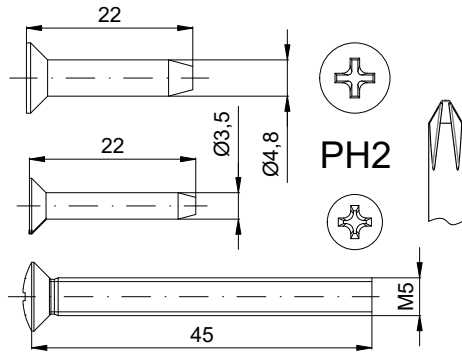
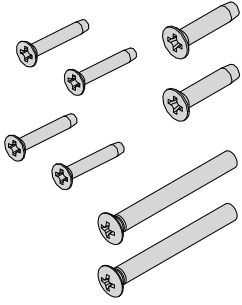
5043A



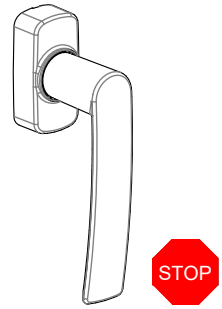
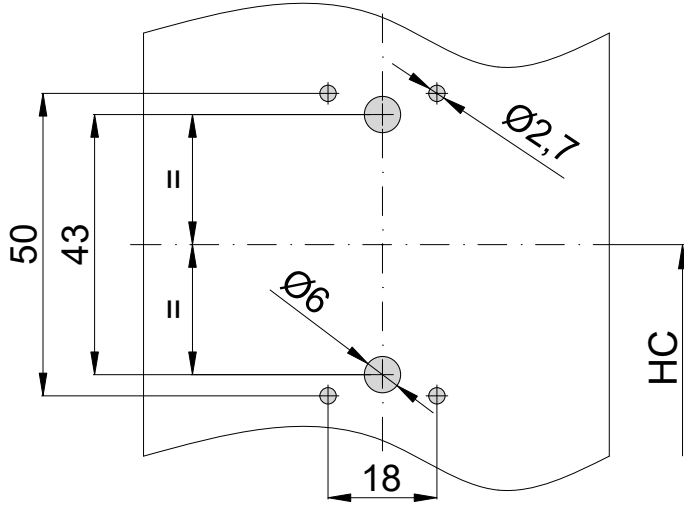
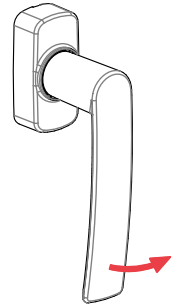
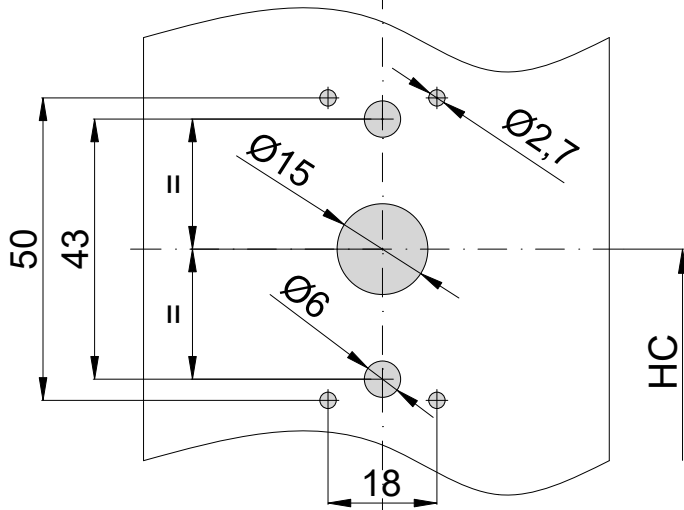
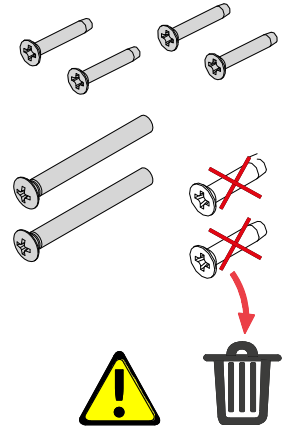
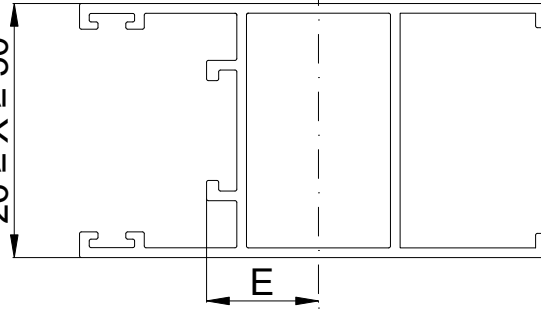
PH2



5043B

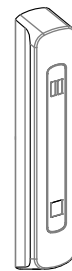
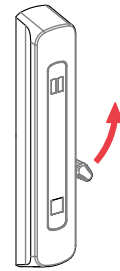
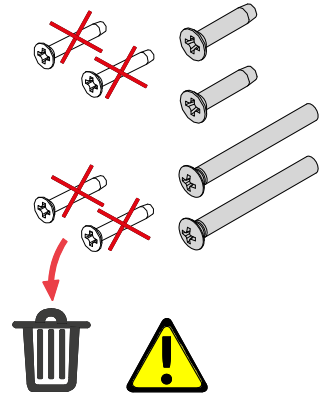
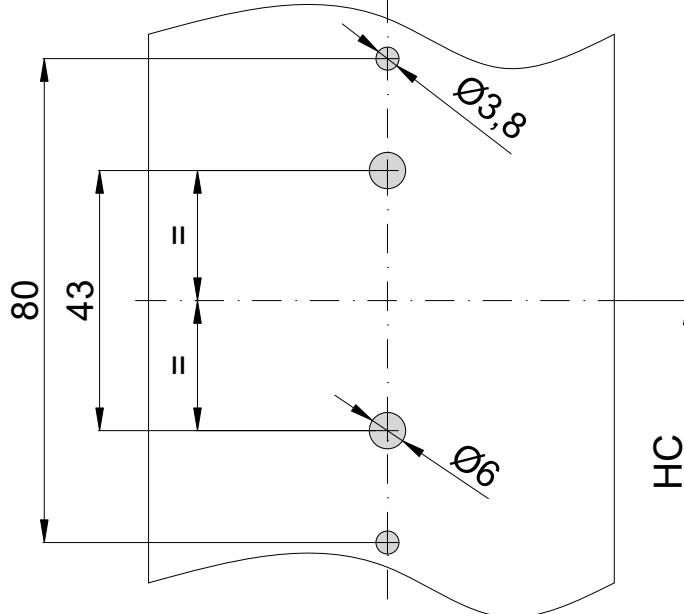
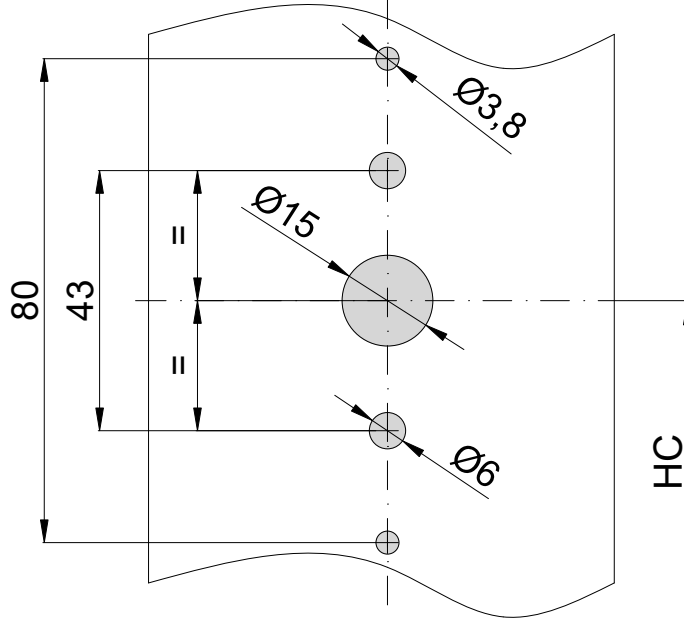
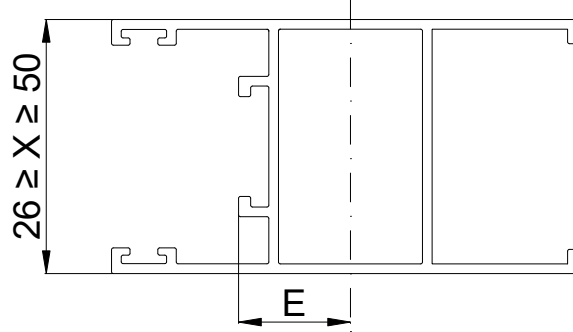
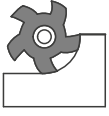
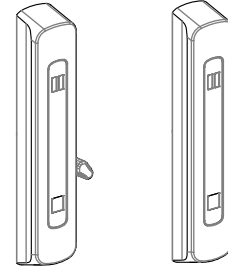
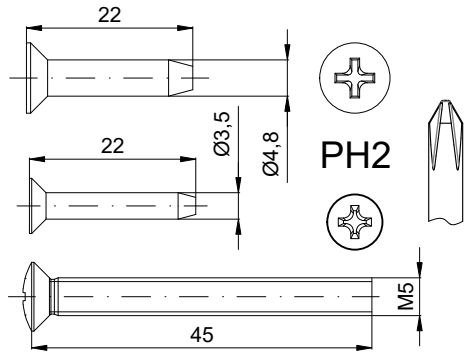
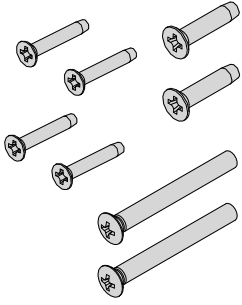


$26 \geq X \geq 50$

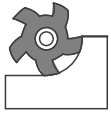
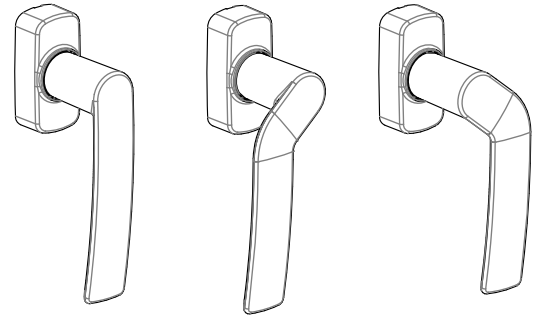
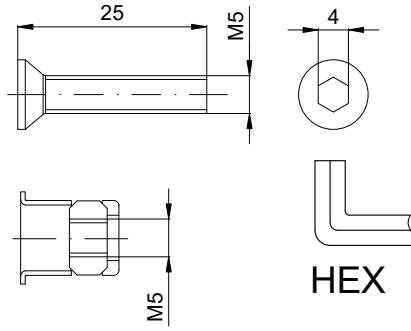
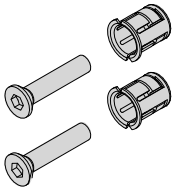




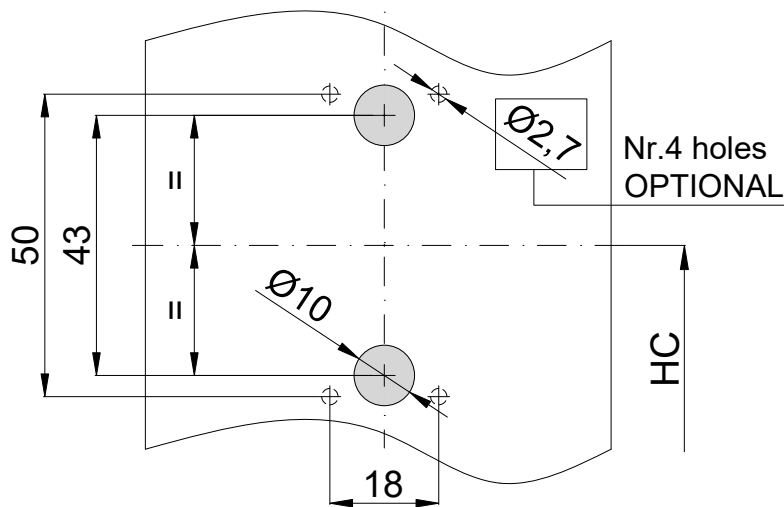
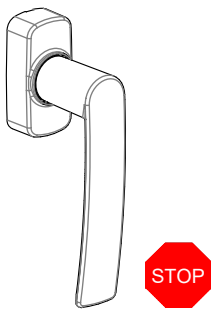
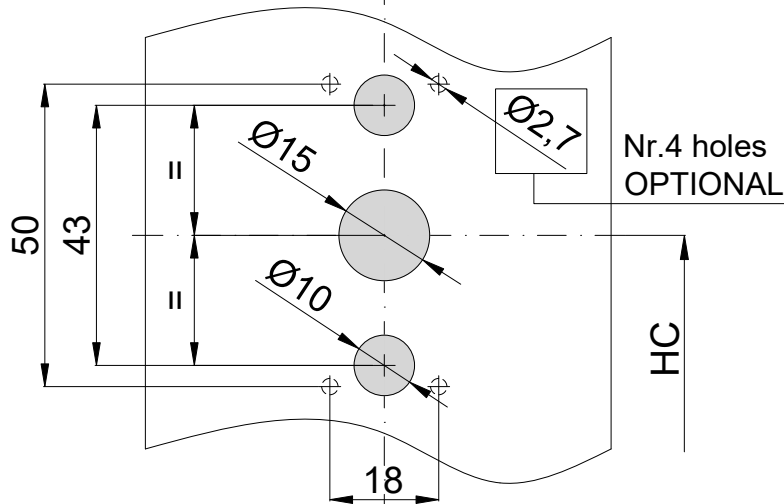
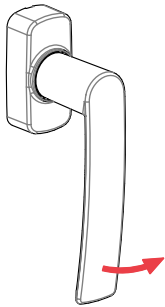
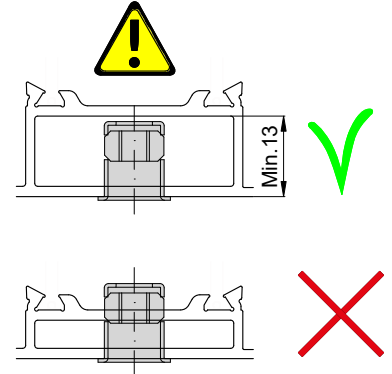
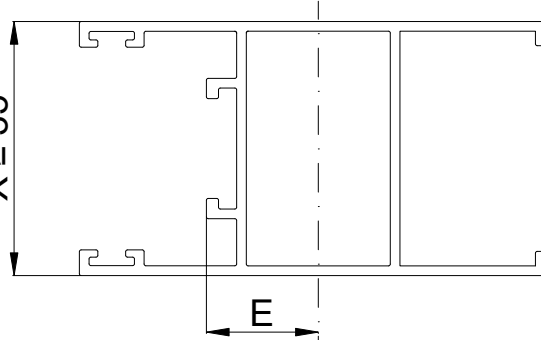
5043B



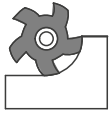
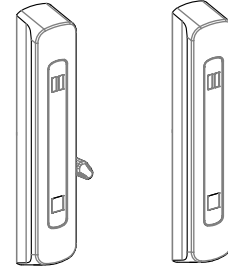
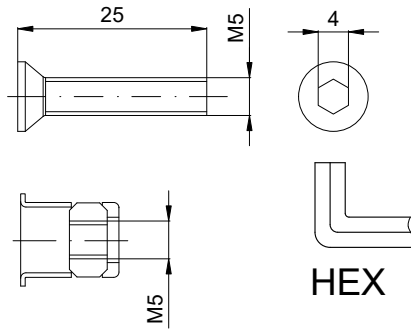
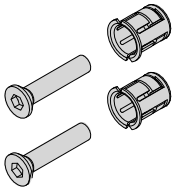
5043G



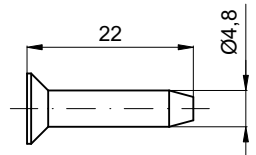
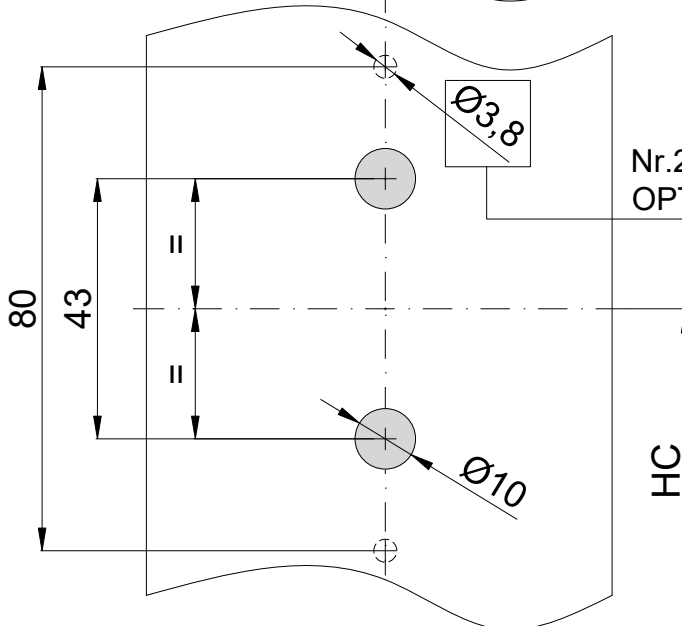
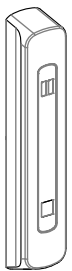
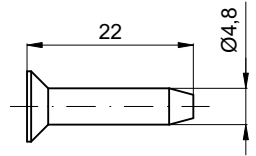
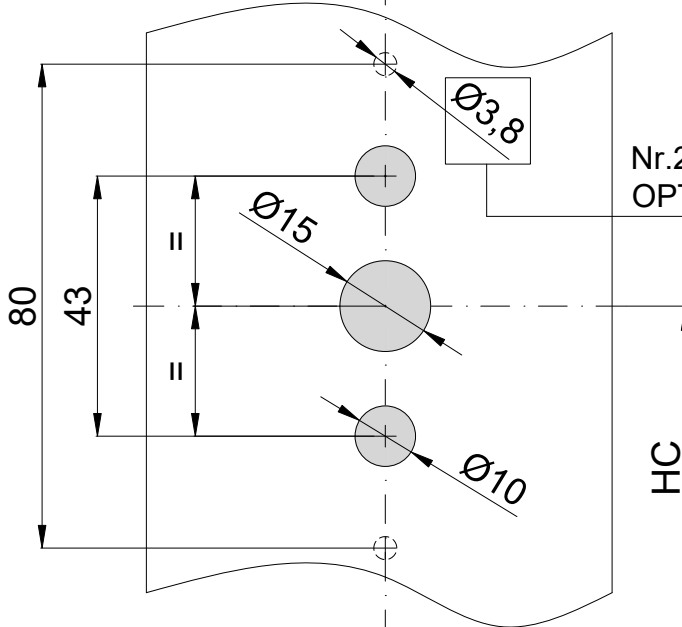
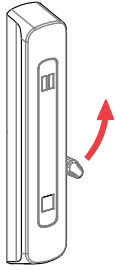
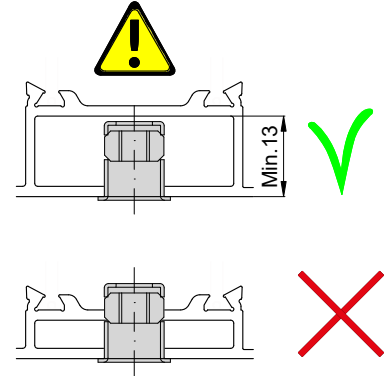
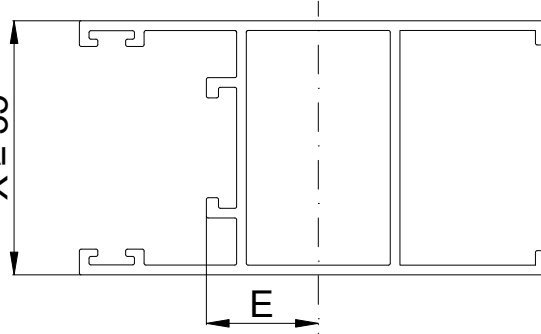
$X \geq 35$



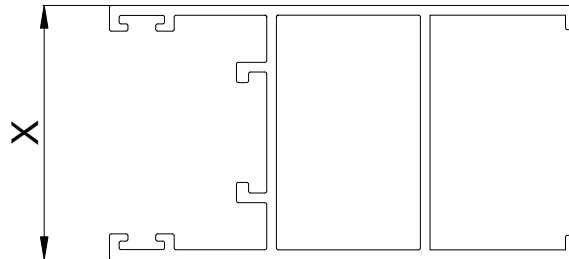
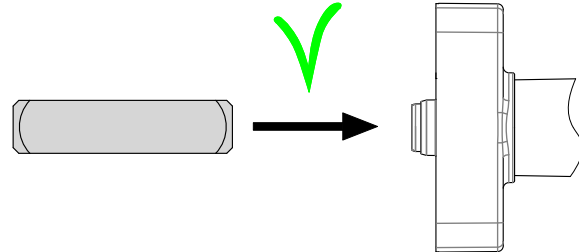
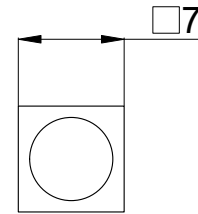
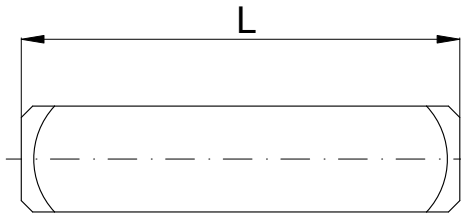
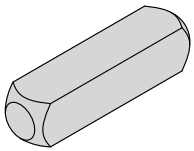
5043G



$X \geq 35$

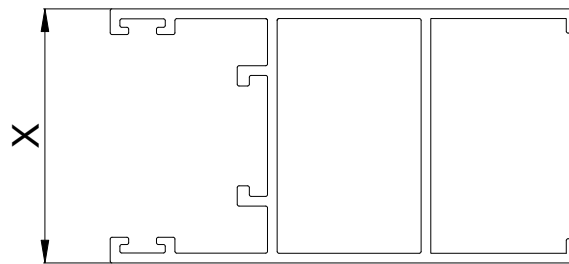
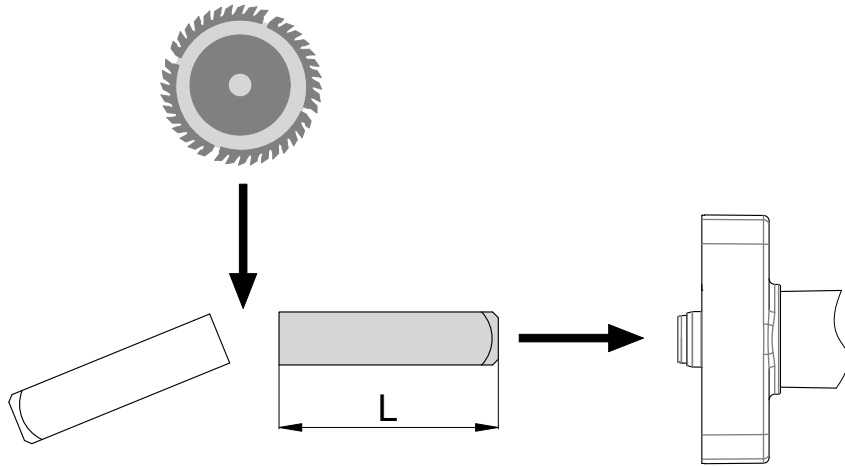
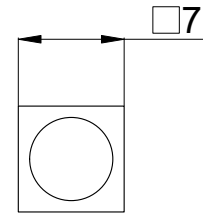
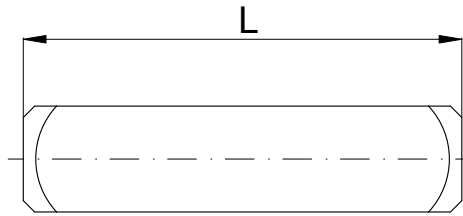
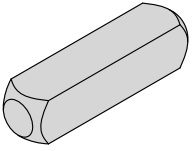


5042..

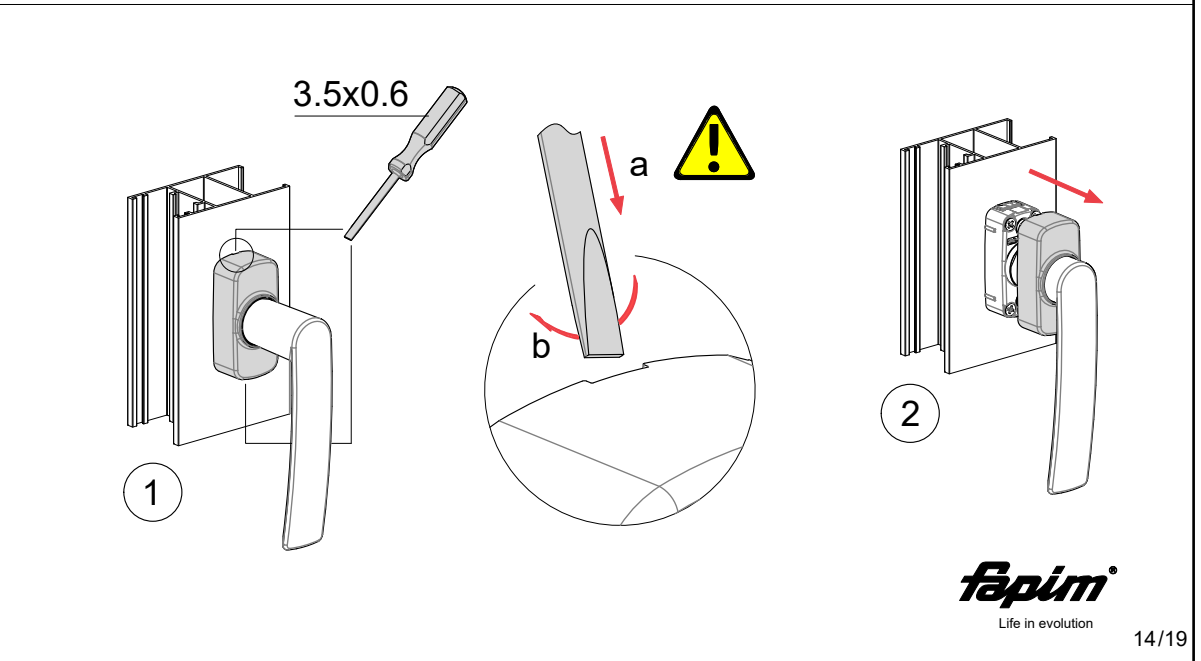
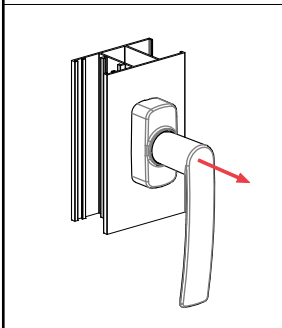
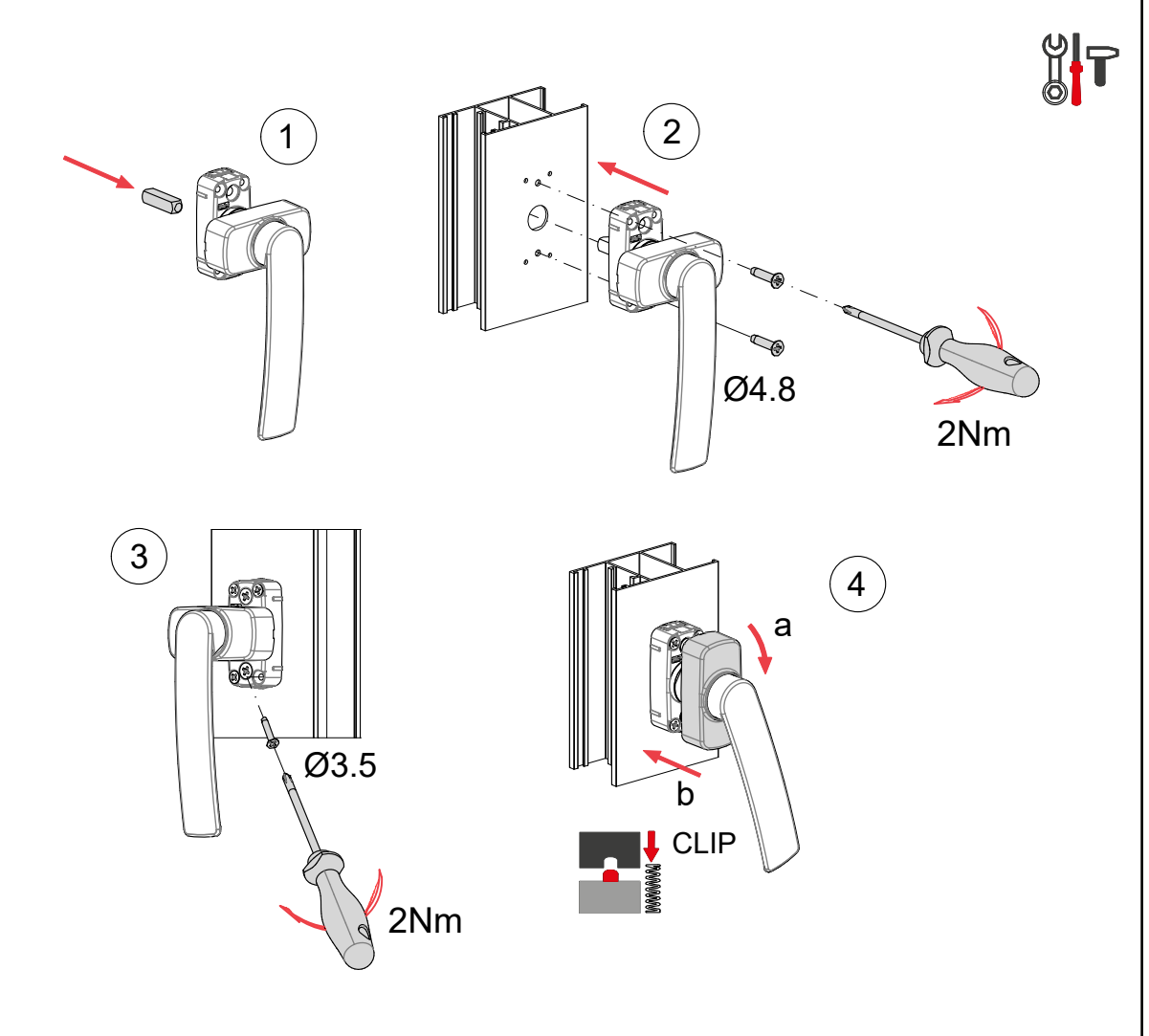
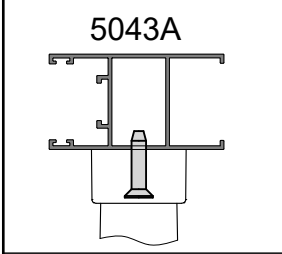
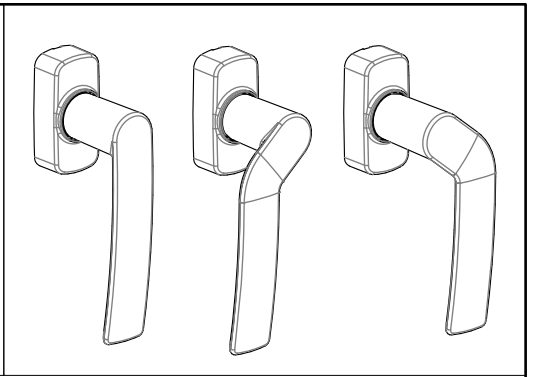
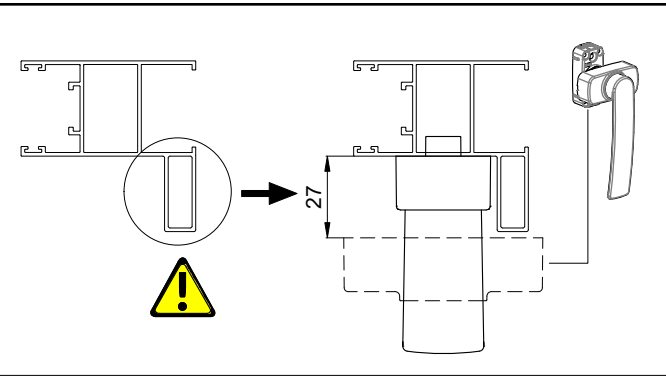
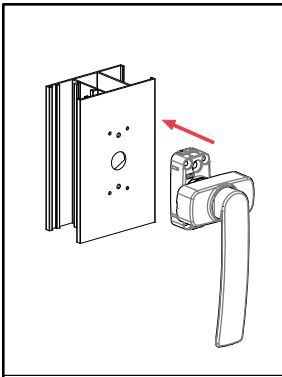


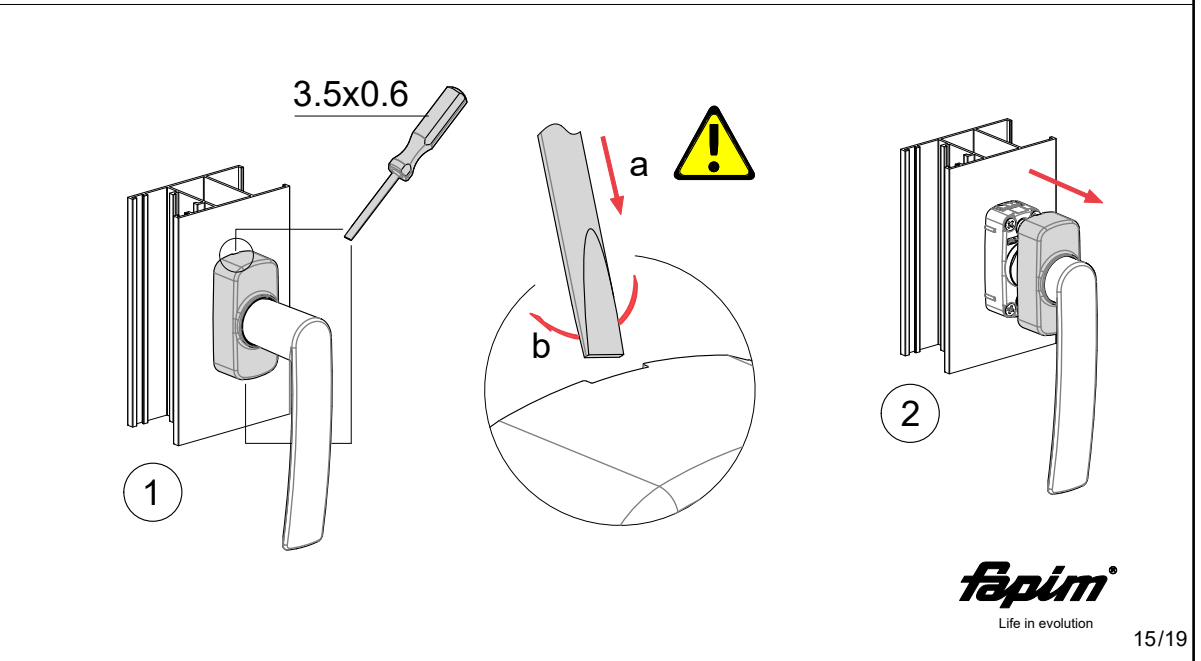
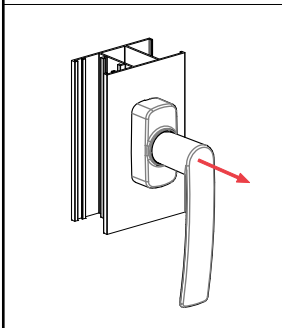
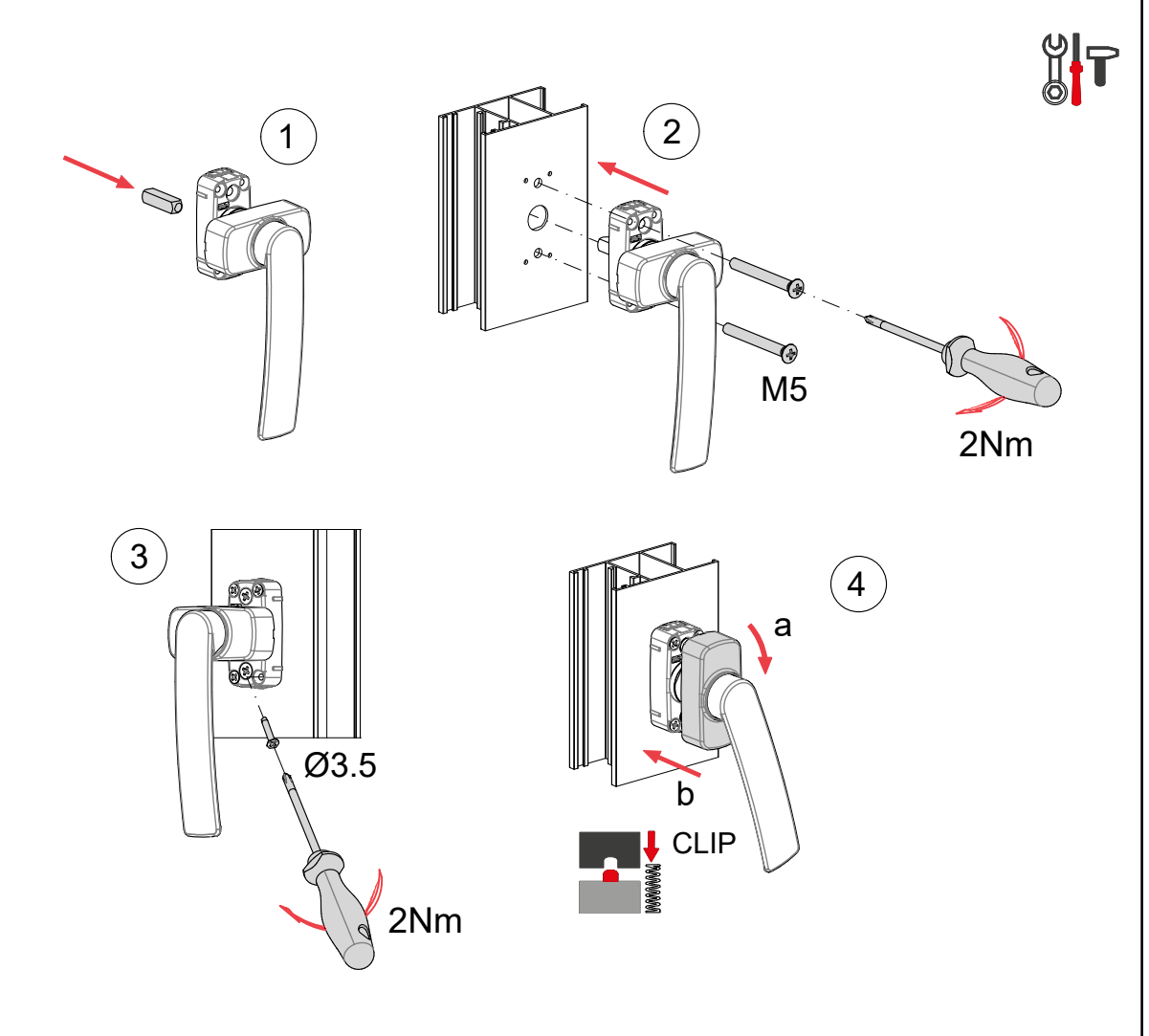
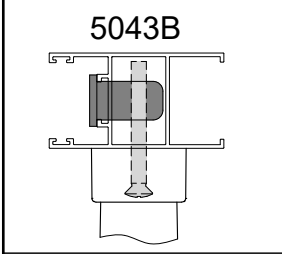
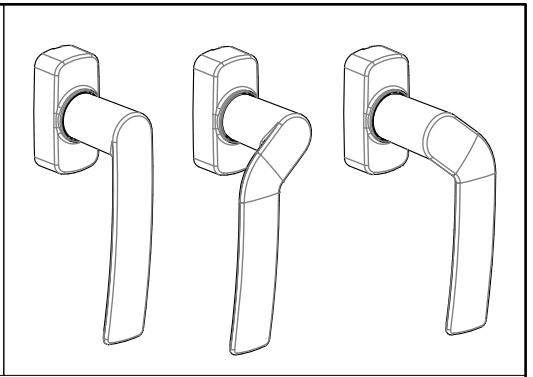
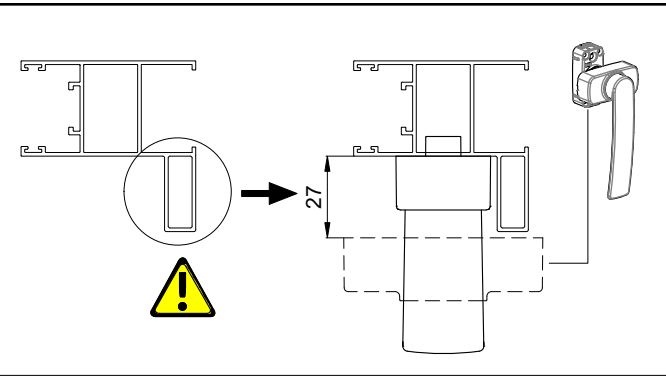
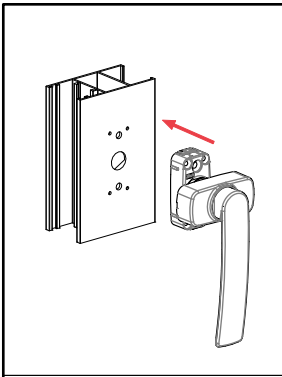
	SINGLE	DOUBLE	DOUBLE
$26 \leq X < 29$	5042A (L=29)	5042C (L=36)	5042A (L=29)
$29 \leq X < 33$	5042B (L=32)	5042D (L=40)	5042B (L=32)
$33 \leq X < 37$	5042C (L=36)	5042E (L=44)	5042C (L=36)
$37 \leq X < 41$	5042D (L=40)	5042F (L=48)	5042D (L=40)
$41 \leq X < 45$	5042E (L=44)	5042G (L=52)	5042E (L=44)
$45 \leq X < 49$	5042F (L=48)	5042H (L=56)	5042F (L=48)
$49 \leq X < 53$	5042G (L=52)	5042I (L=60)	5042G (L=52)
$53 \leq X < 57$	5042H (L=56)	5042J (L=64)	5042H (L=56)
$57 \leq X < 61$	5042I (L=60)		5042I (L=60)
$61 \leq X < 65$	5042J (L=64)		5042J (L=64)

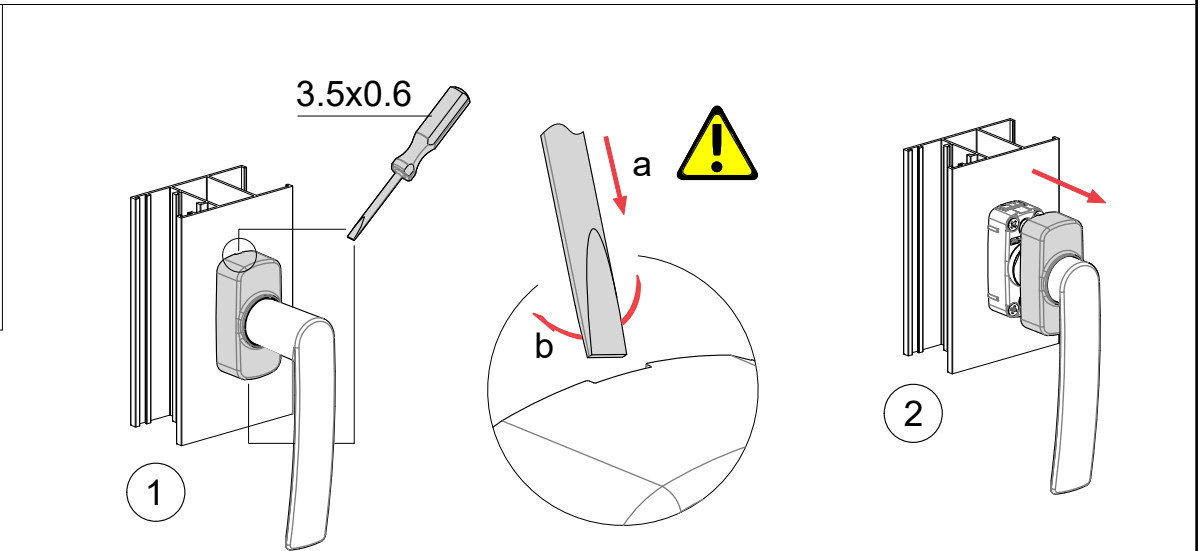
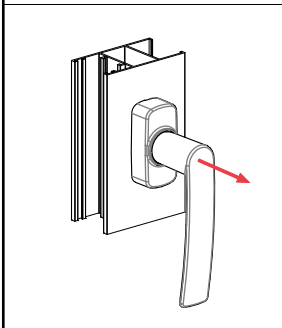
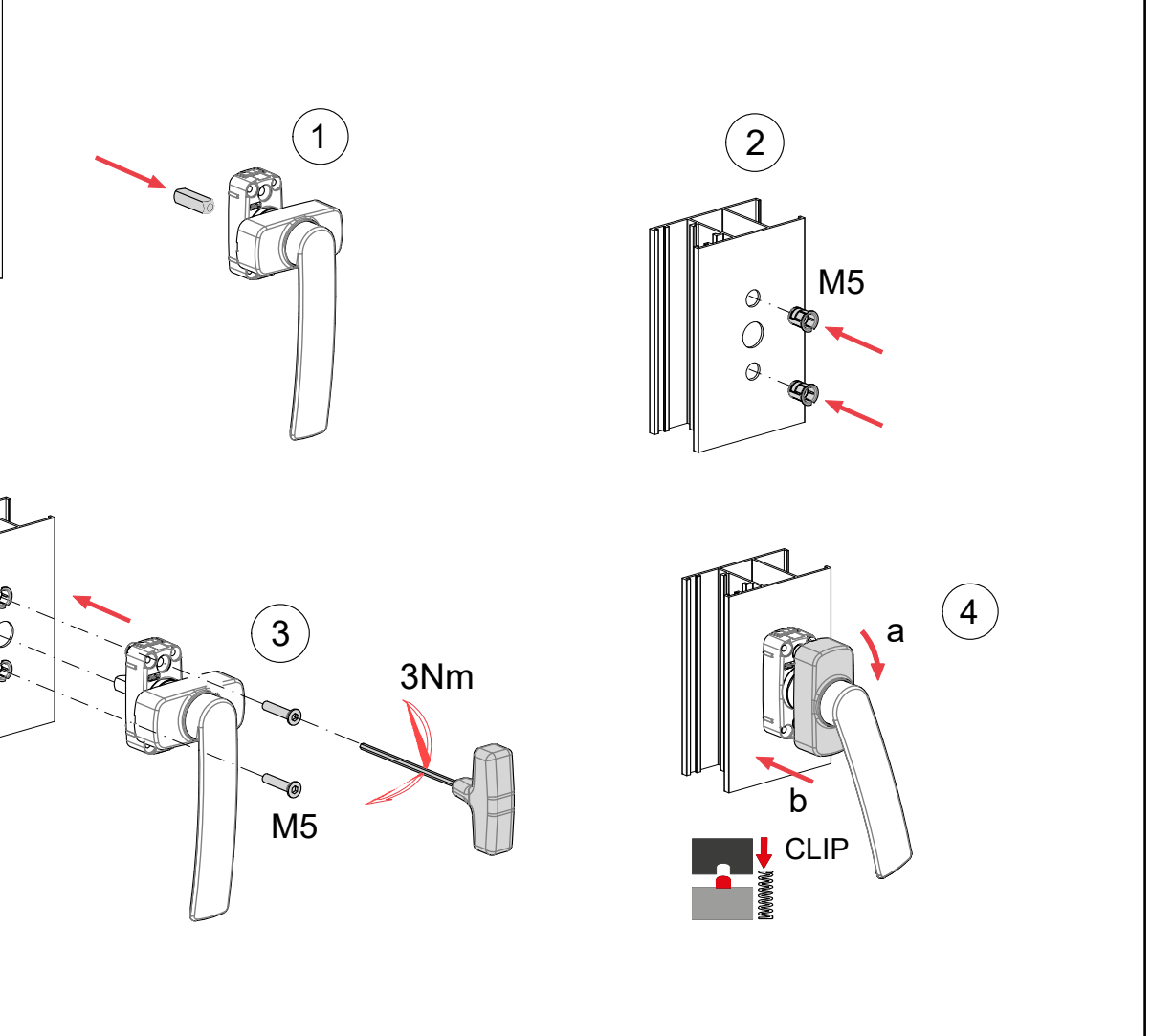
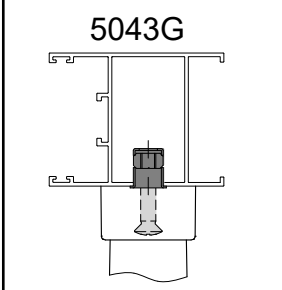
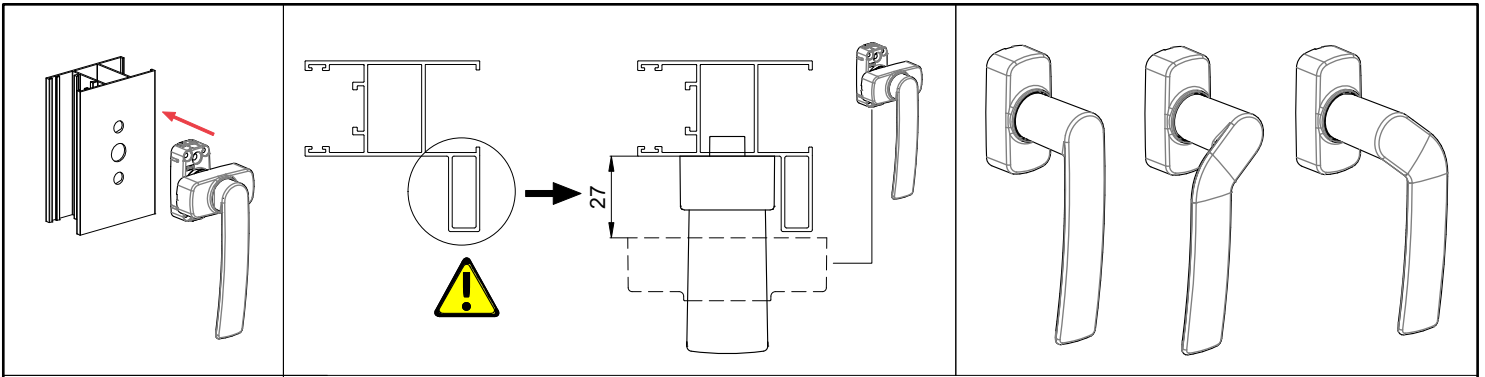
CUSTOM



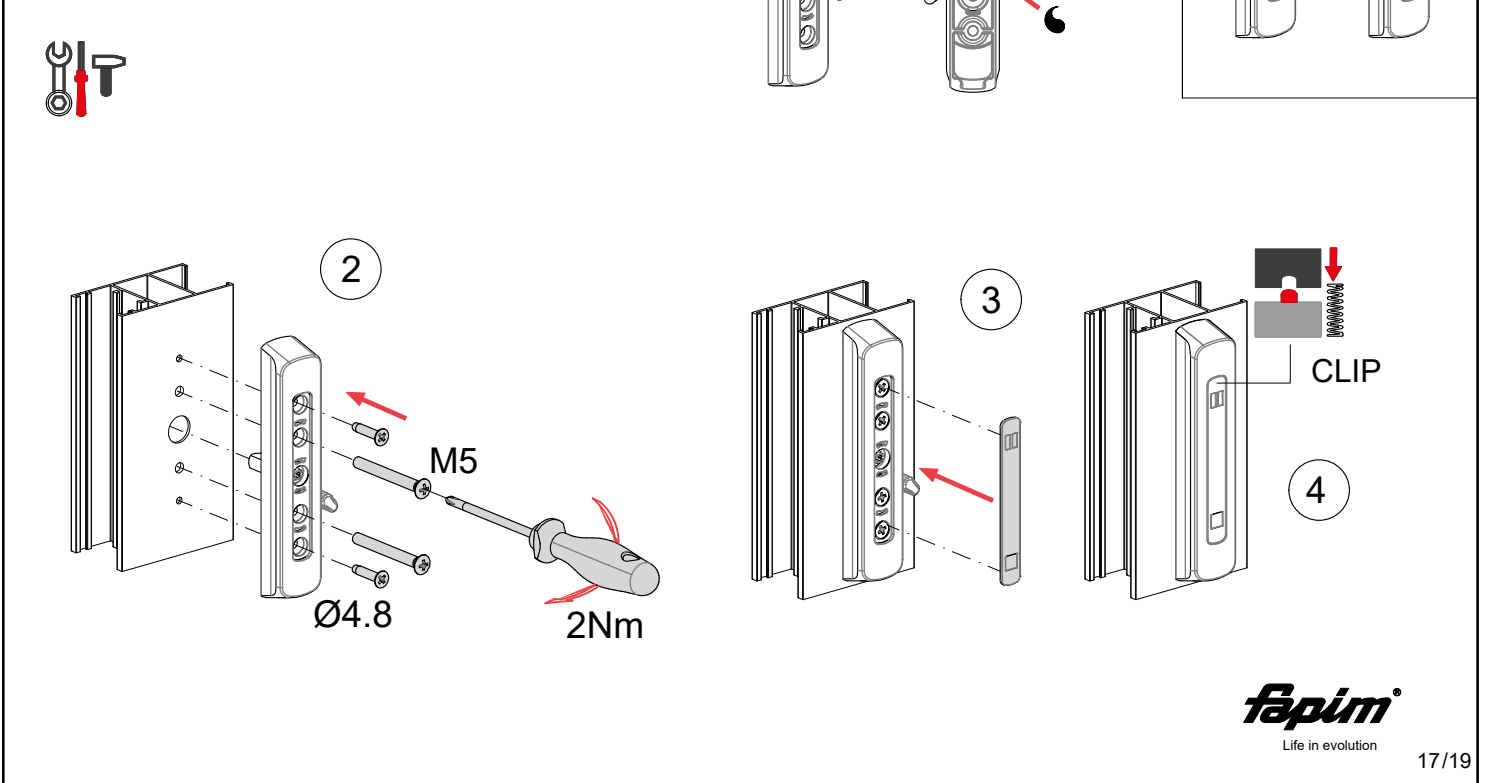
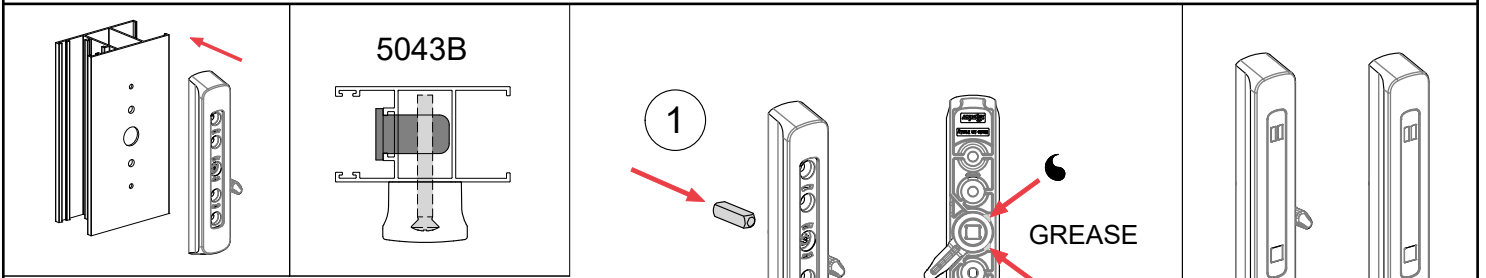
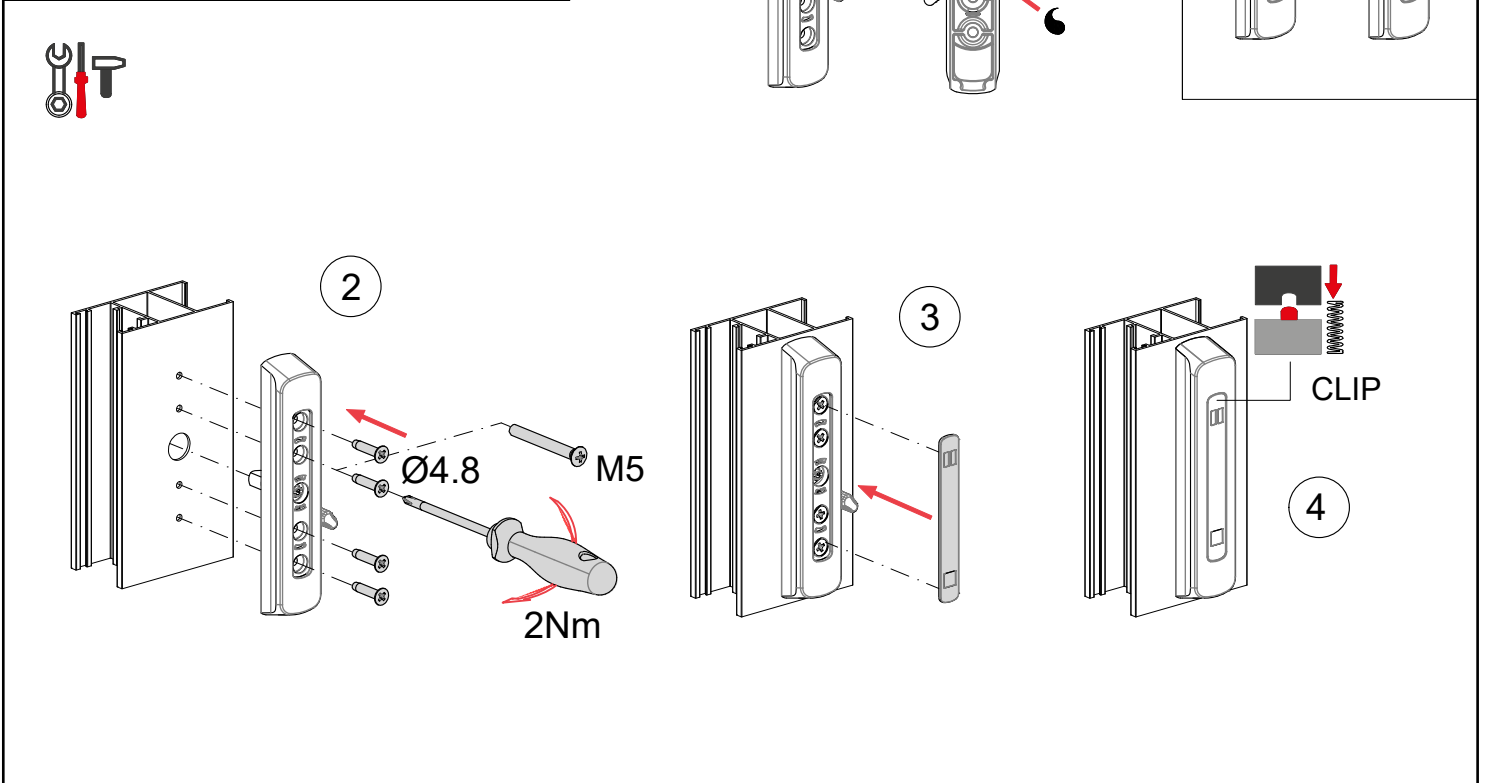
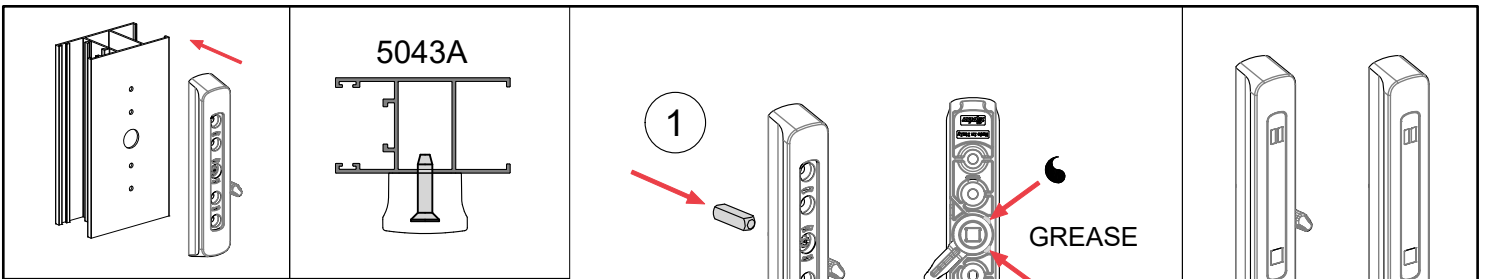
	SINGLE	DOUBLE	DOUBLE
L (mm)	X + 3	X + 10	X + 3

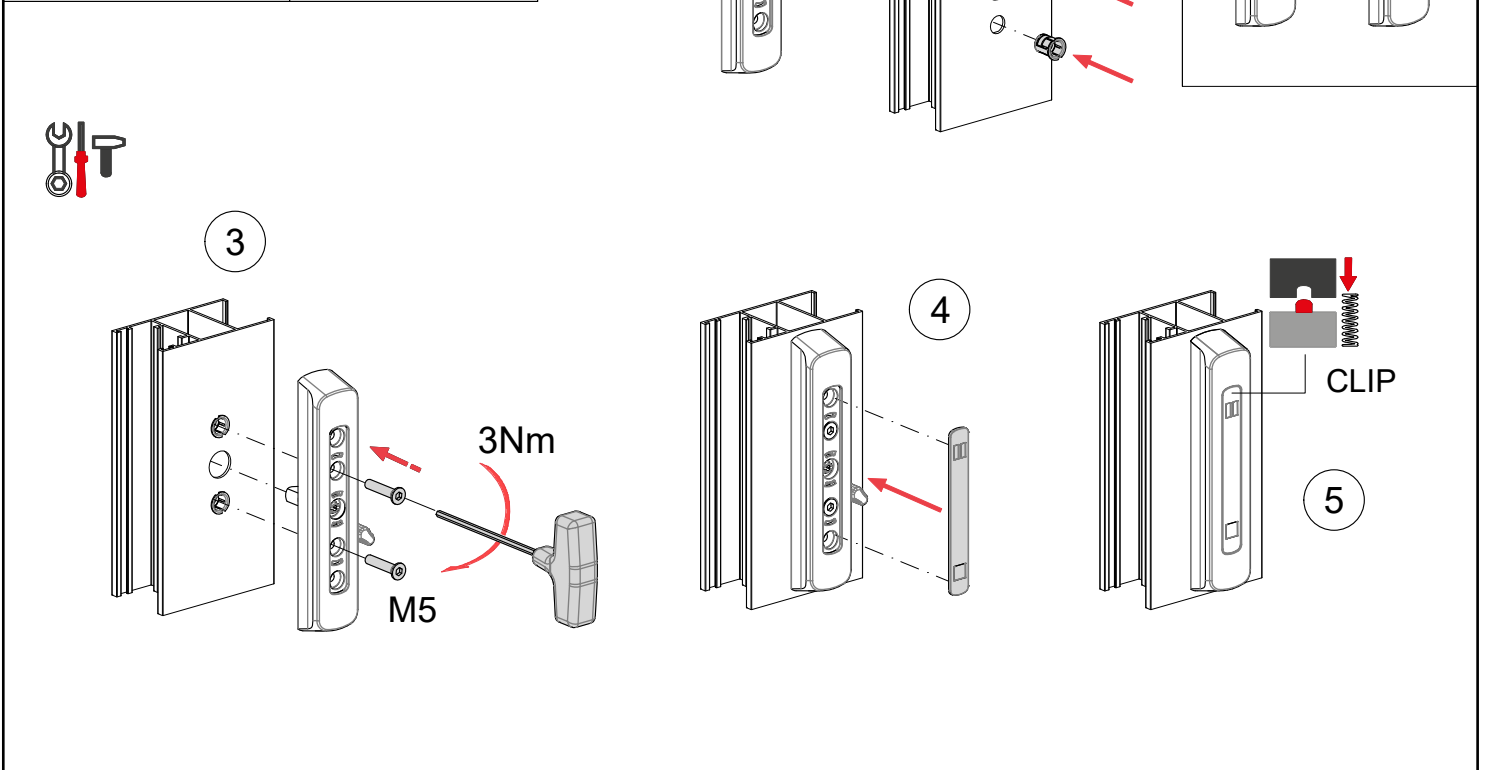
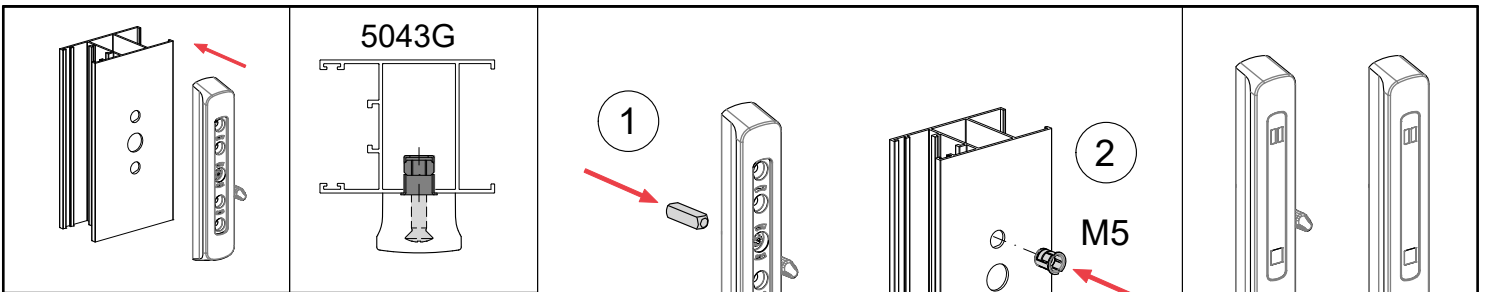




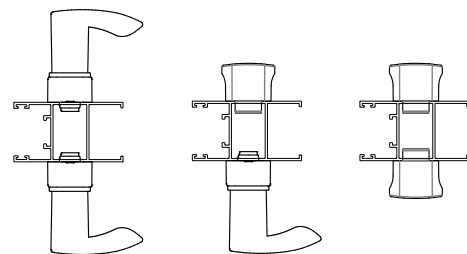






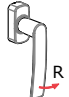





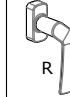




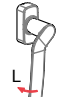


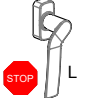

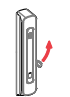



# APPLICATION CHART



## EXTERNAL SIDE

## INTERNAL SIDE

	5040AA	5040AB			5040FA			5041A	5041F
									
		✓			✓			✓	✓
	✓				✓			✓	✓
				✓			✓	✓	✓
			✓			✓		✓	✓
					✓				✓
							✓		✓
						✓			✓
	✓	✓	✓	✓	✓	✓	✓	✓	✓
					✓	✓	✓		✓