

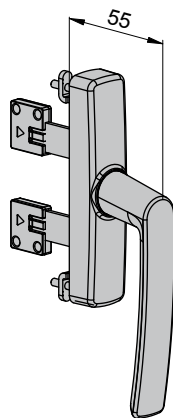
CREMONE BOLT FOR
OUTWARD OPENINGS

GAIA

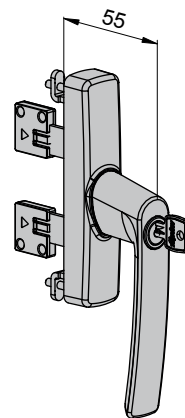
Art. 1800A
Art. 1801A
Art. 1806A

fapim[®]
Life in evolution

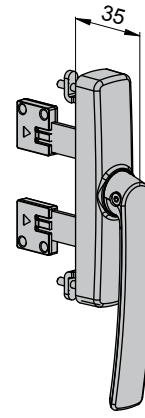
ULAE - Rev.01



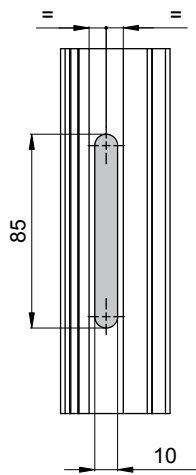
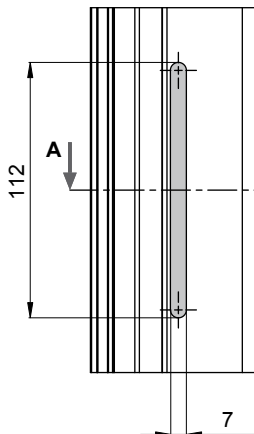
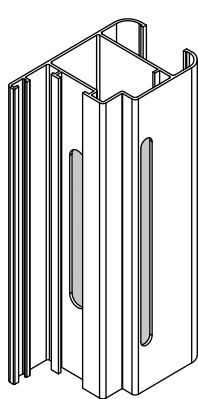
Art.1800A



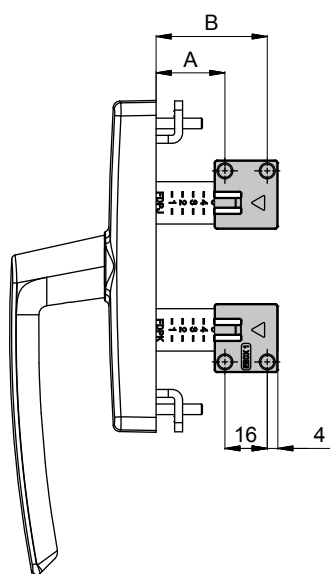
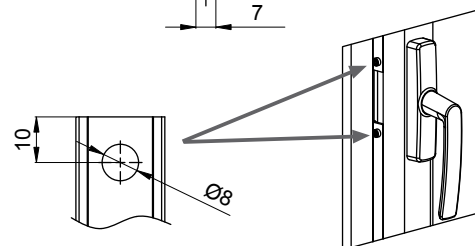
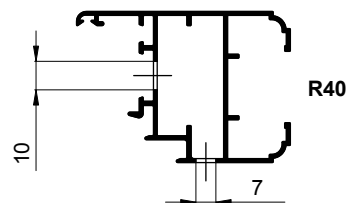
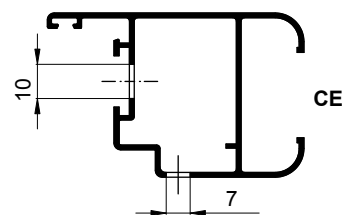
Art.1801A



Art.1806A

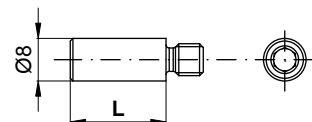
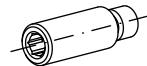


SEZ A-A

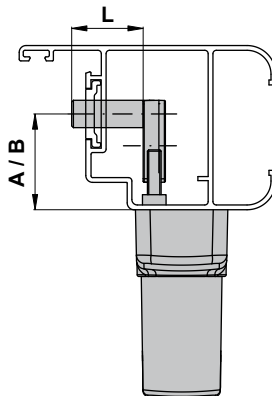
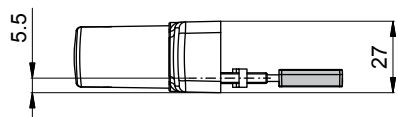


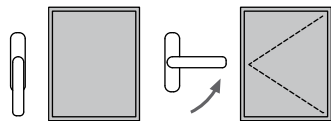
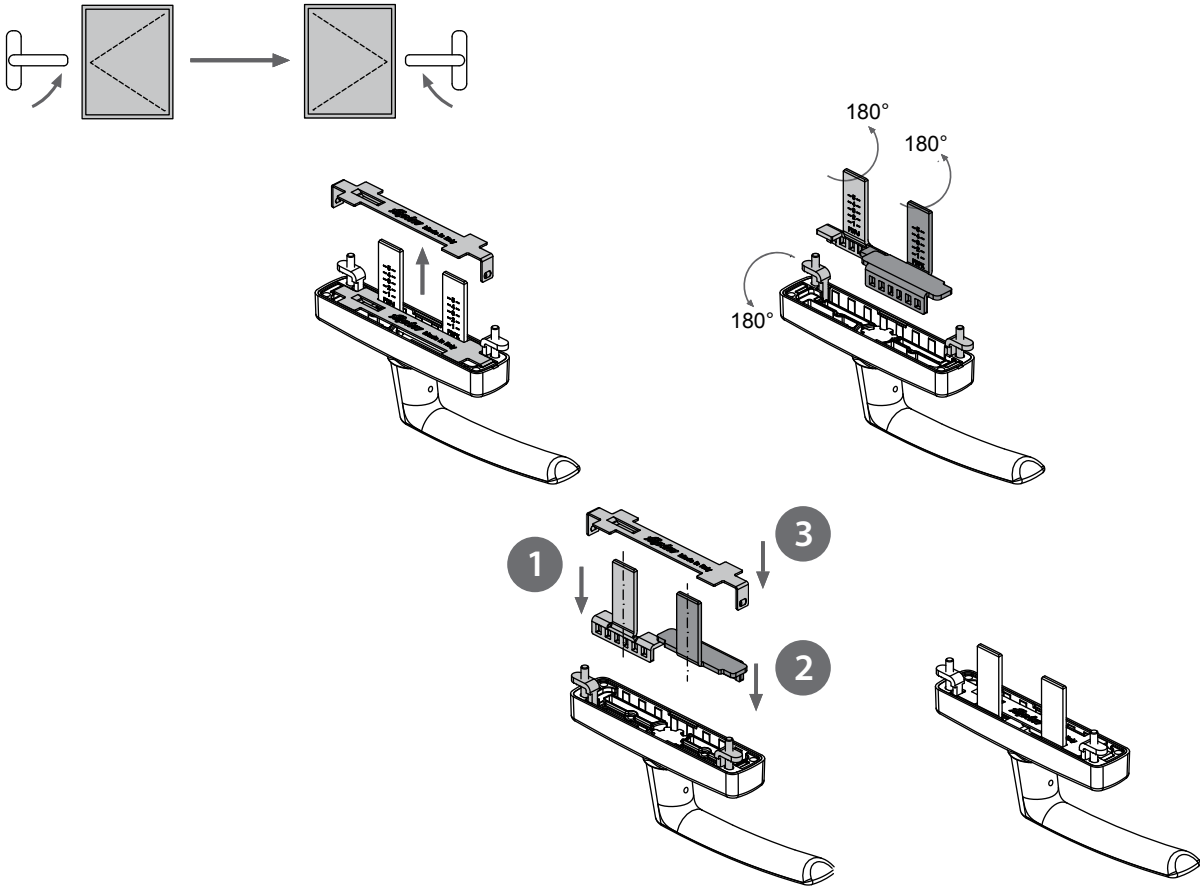
Tab.1

Pos.	A (mm)	B (mm)
1	10	26
2	14	30
3	18	34
4	22	38
5	26	42

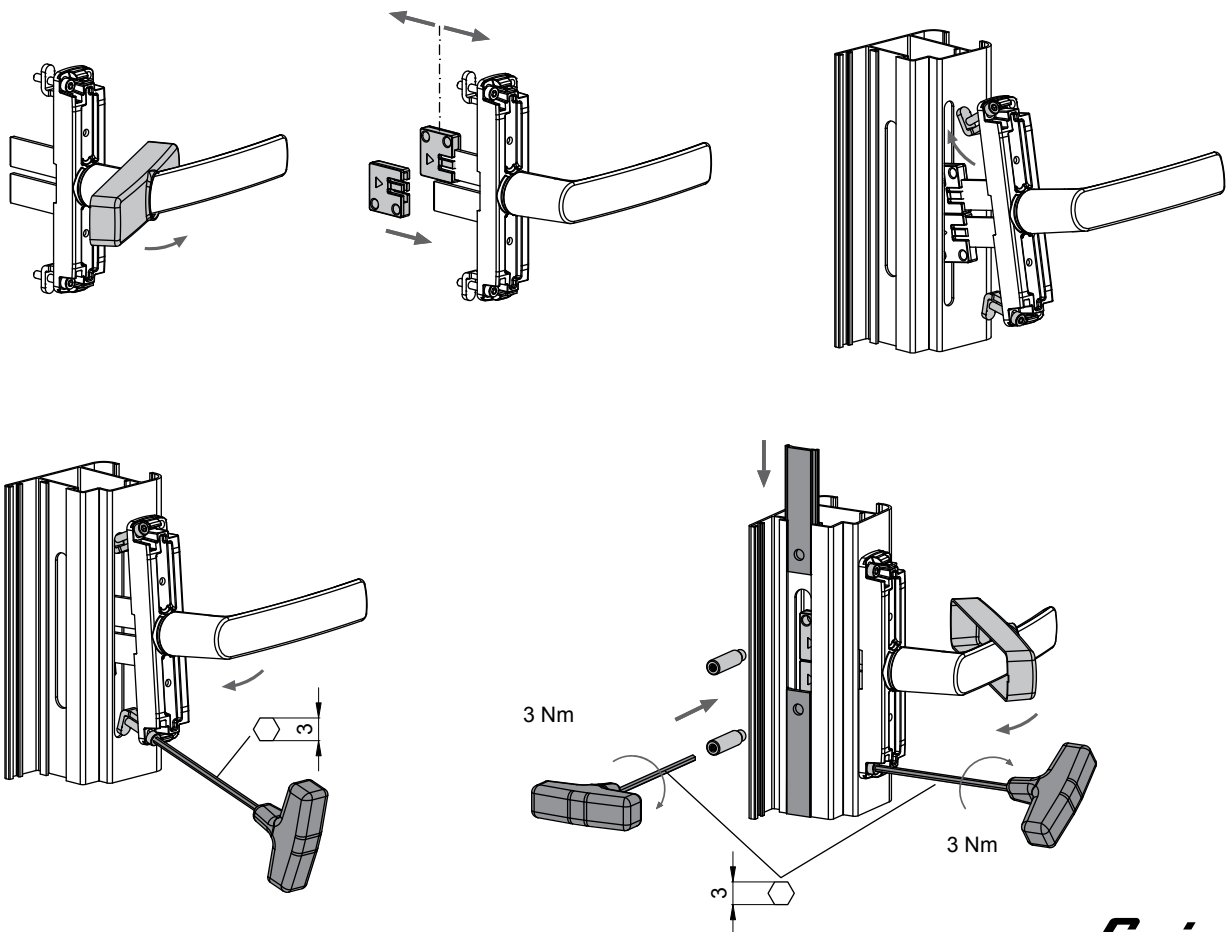


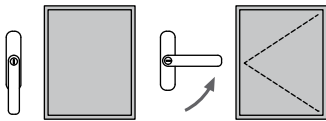
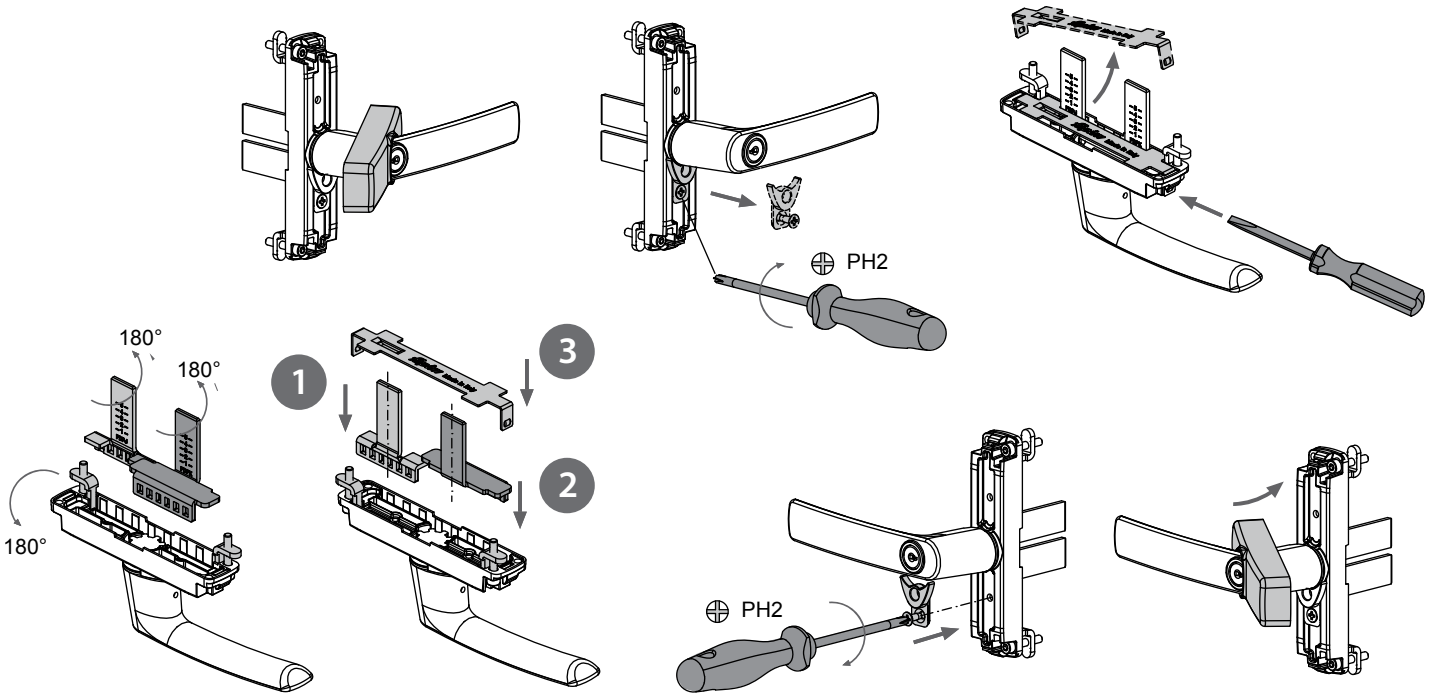
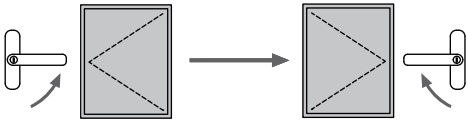
	L
1808A	14 mm
1808B	18 mm
1808C	24 mm
1808D	27 mm



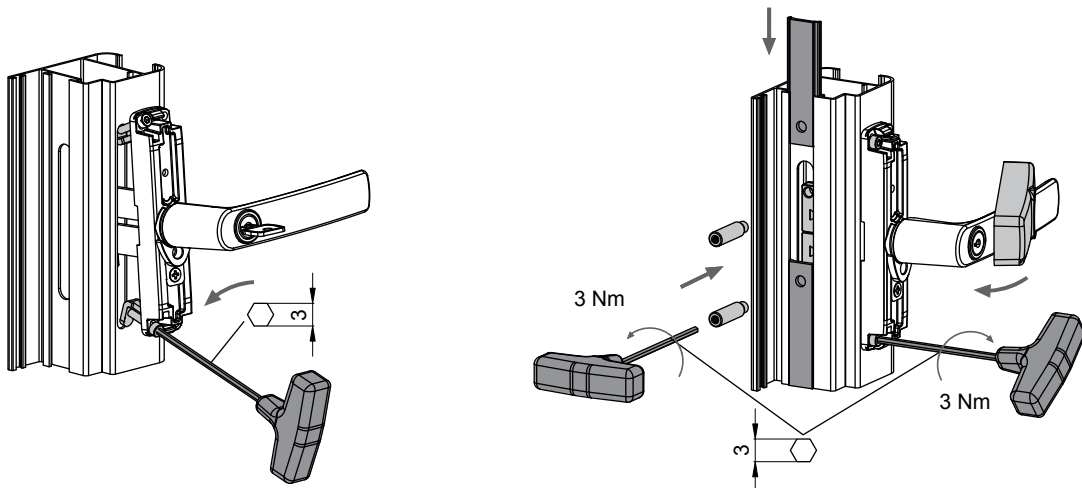
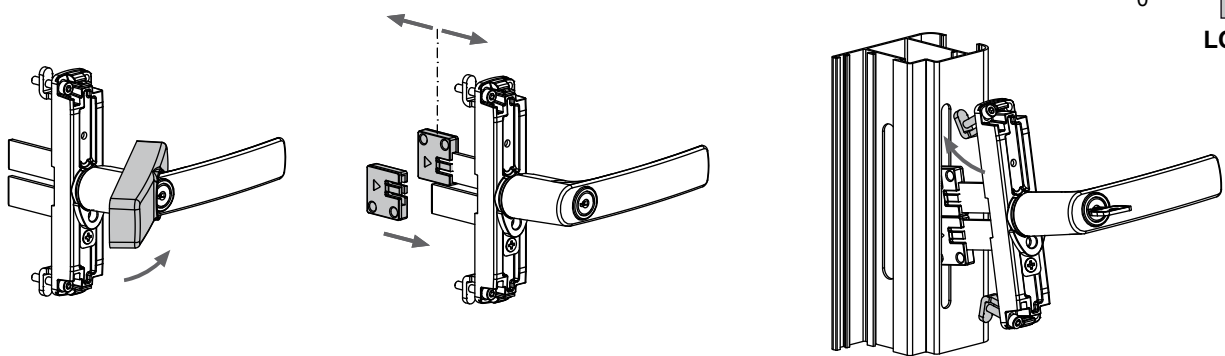
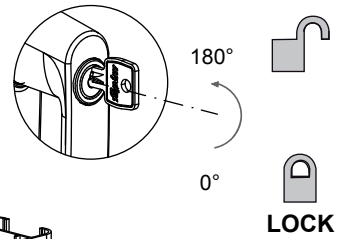


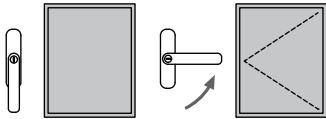
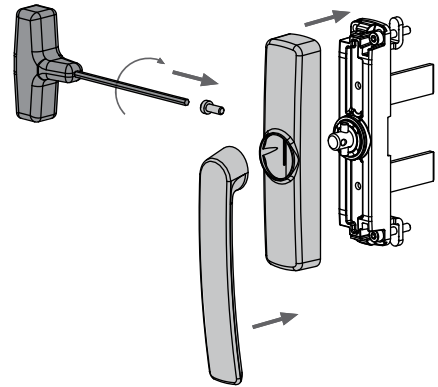
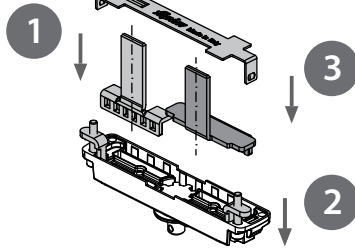
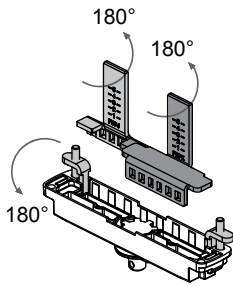
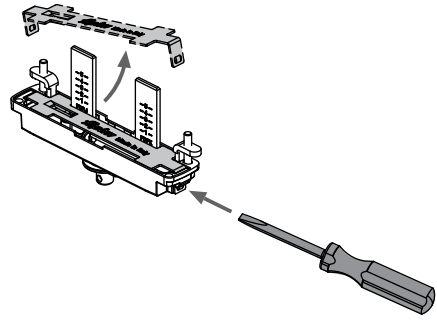
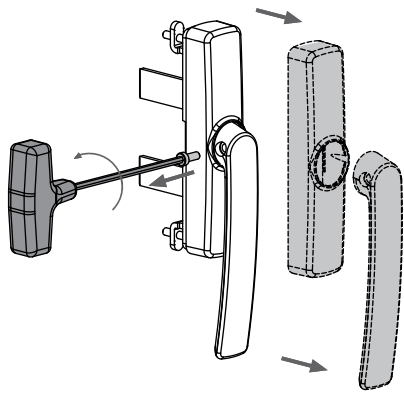
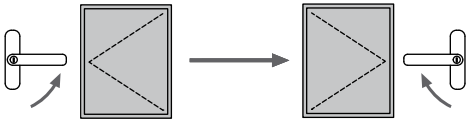
Tab.1





Tab.1





Tab.1

