


EGO

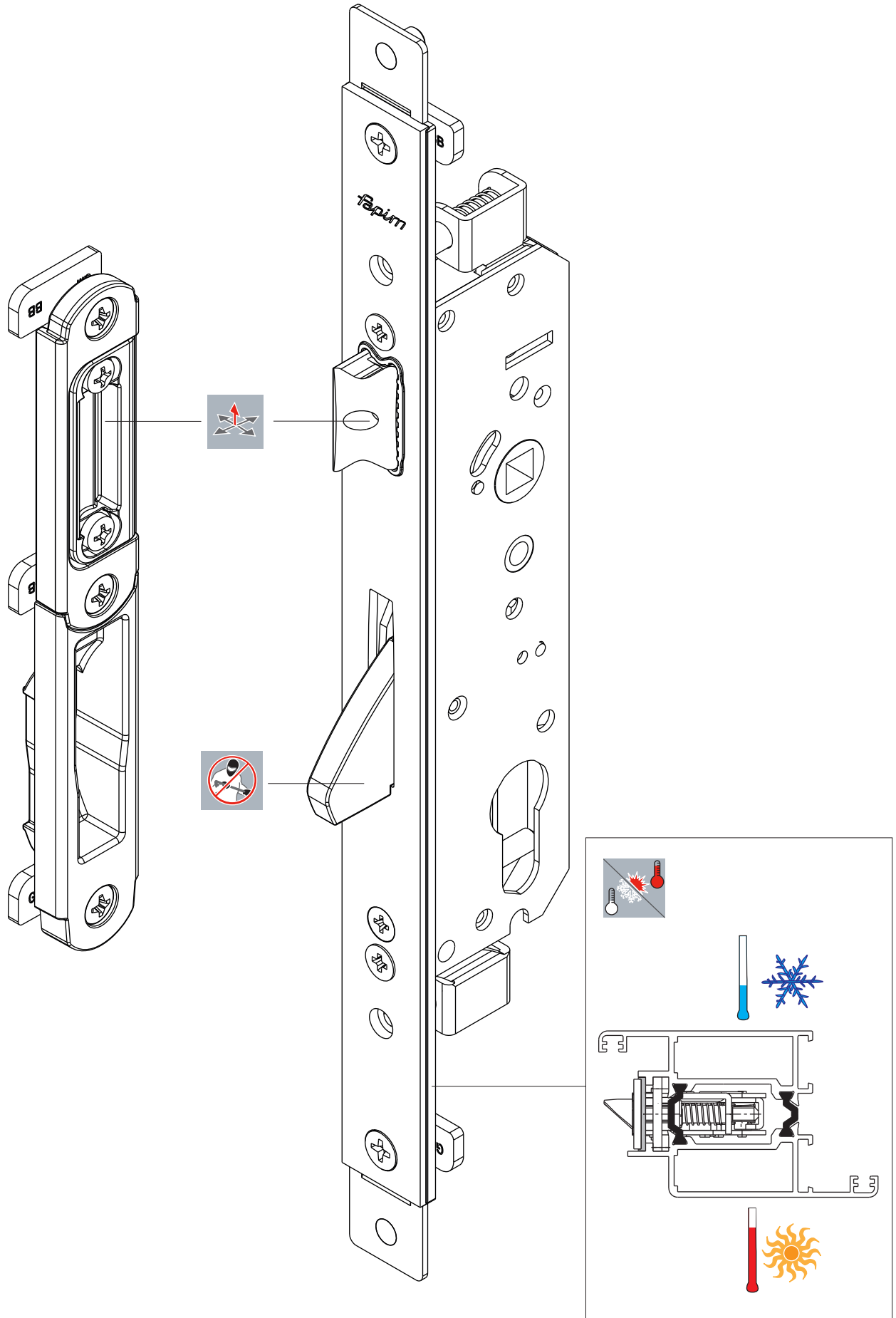
LOCKS AND ACCESSORIES

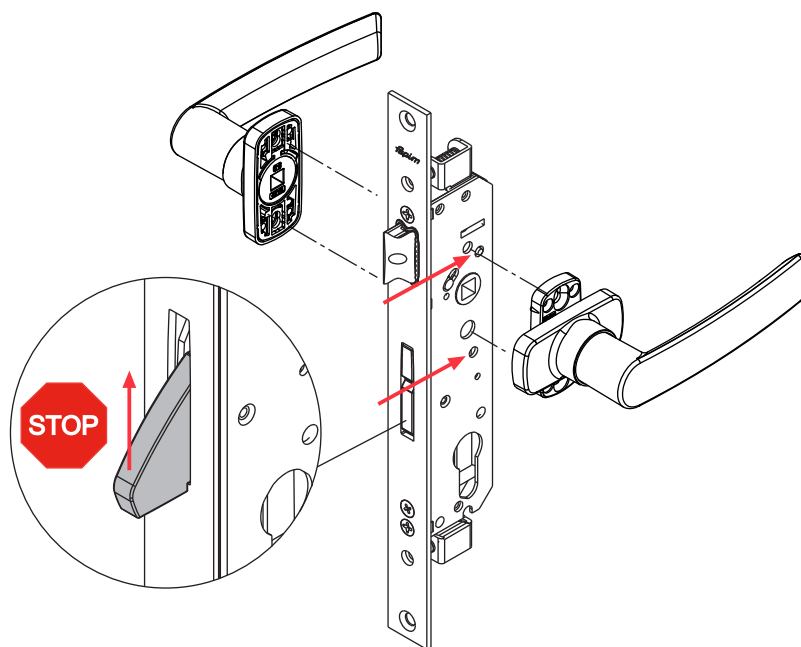
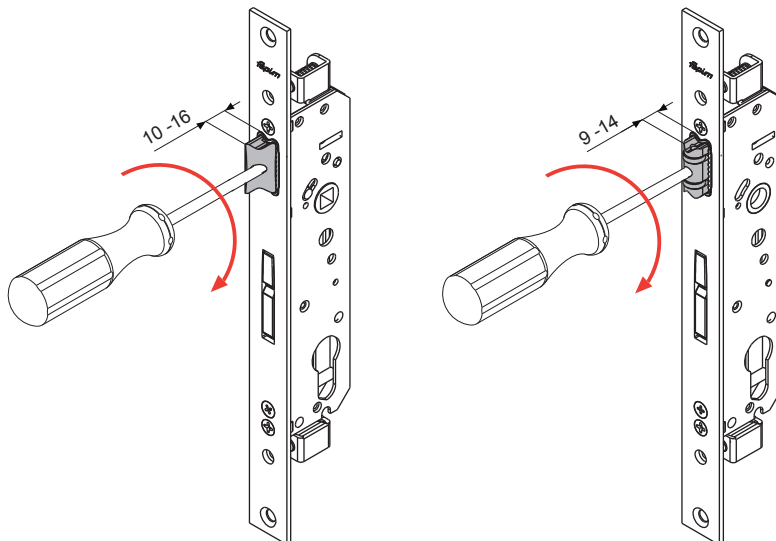
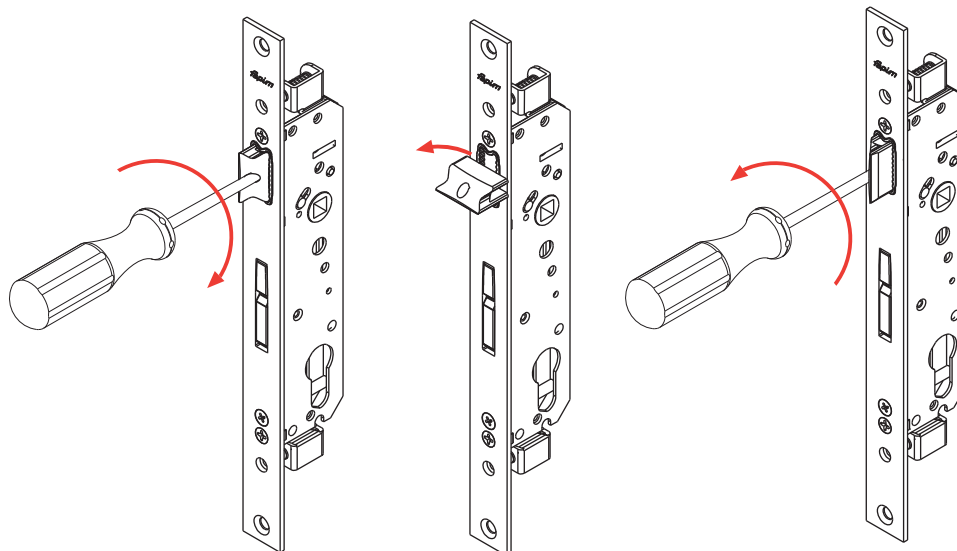
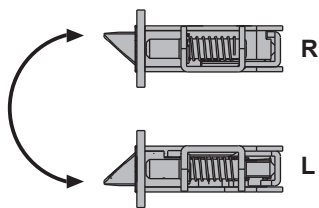


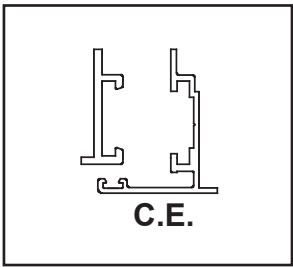
 Made in Italy

fapim[®]

Life in evolution

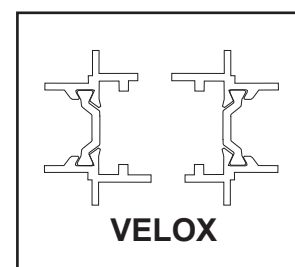






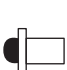


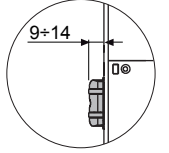
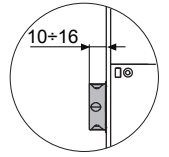
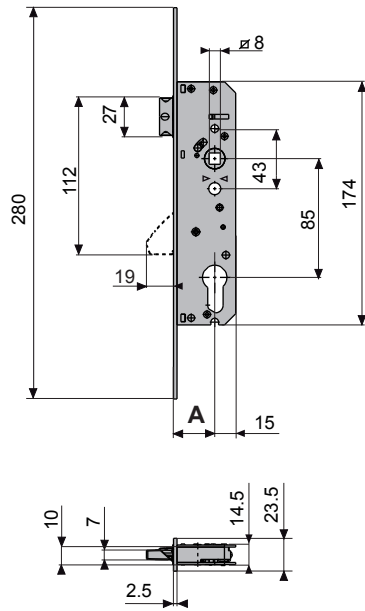
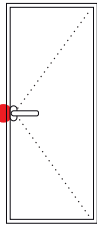
		2501B	2501F	2501C	2501G
		2503B	2503F	2503C	2503G
		2523B		2523C	


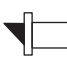

		<p>2501BA 2501FA 2501CA 2501GA</p>			
		<p>2503BA 2503FA 2503CA 2503GA</p>			
		<p>2523BA 2523CA</p>			

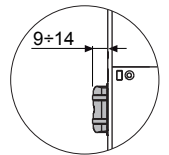
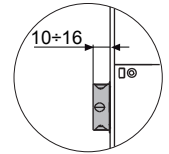
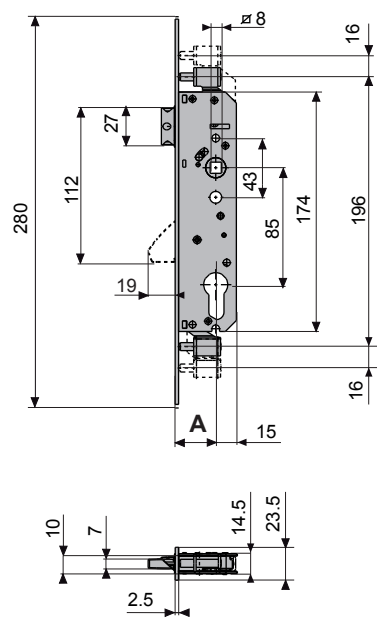
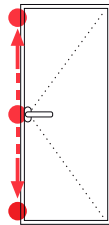






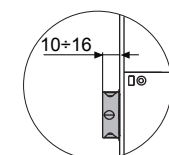
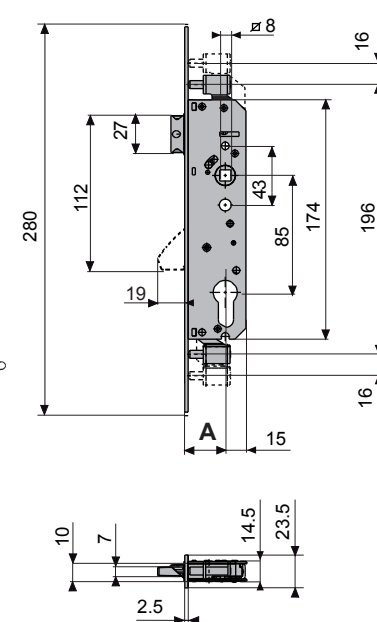
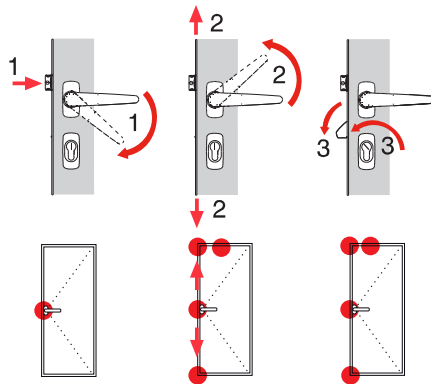
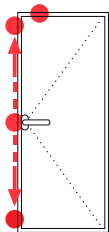
		A		
2501B	 C.E.	30 mm		10
2501C		35 mm		
2501F		30 mm		
2501G		35 mm		

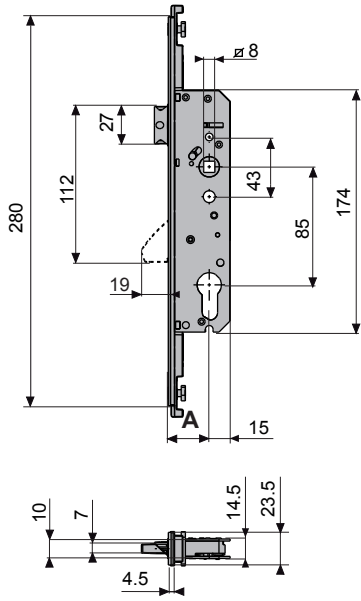
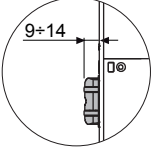
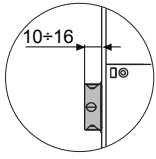


		A		
2503B	 C.E.	30 mm		10
2503C		35 mm		
2503F		30 mm		
2503G		35 mm		

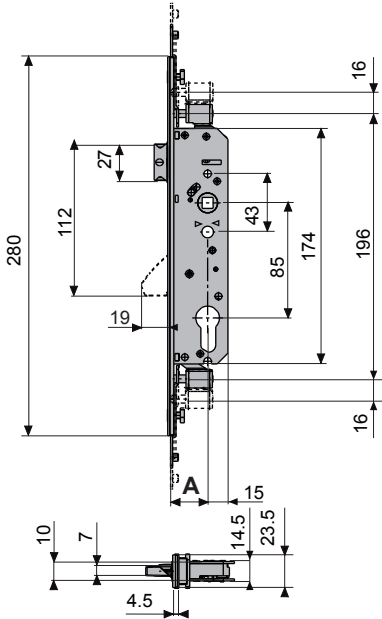
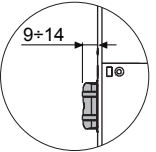
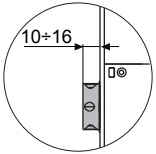
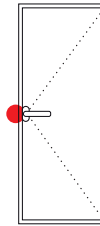


		A		
2523B	 C.E.	30 mm		10
2523C		35 mm		

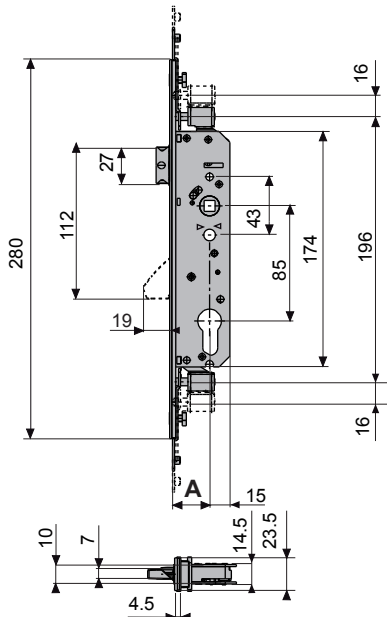
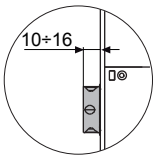
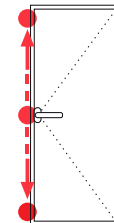




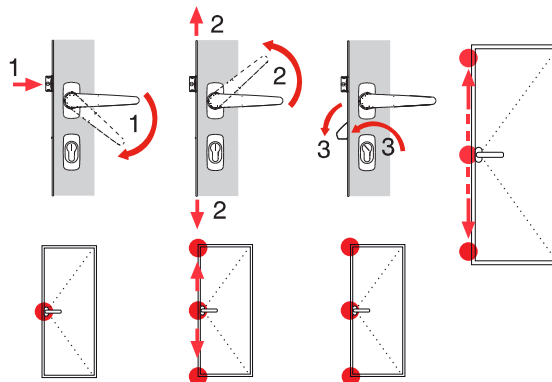
		A		
2501BA		30 mm		10
2501CA		35 mm		
2501FA	Velox	30 mm		
2501GA	17-19-20	35 mm		

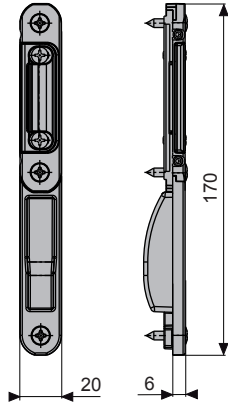
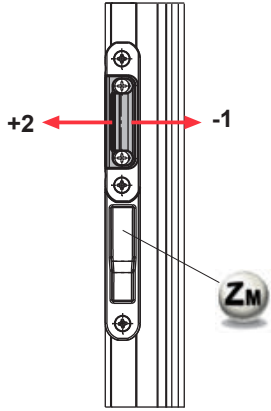


		A		
2503BA		30 mm		10
2503CA		35 mm		
2503FA	Velox	30 mm		
2503GA	17-19-20	35 mm		

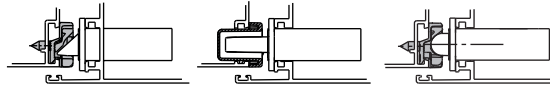


		A		
2523BA		30 mm		10
2523CA	Velox	35 mm		
		17-19-20		

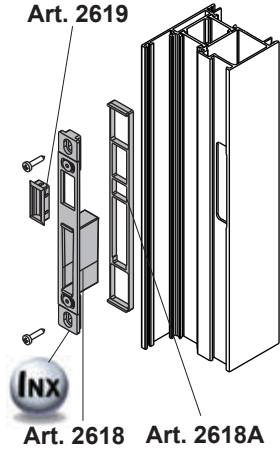




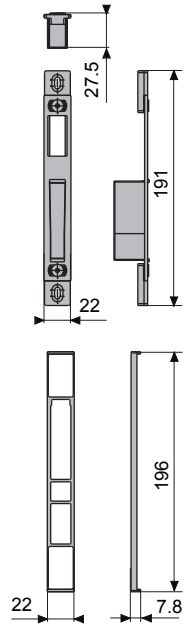
2620				10
	C.E.	2501B	2503B	
	10x14.5	2501C	2503C	
	12x15	2501F	2503F	
	13.6x16.8	2501G	2503G	
	14x18	2523B	2523C	



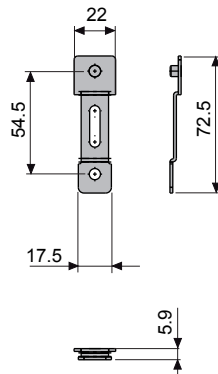
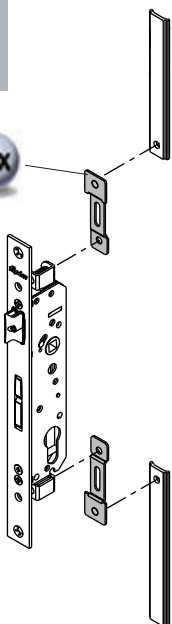
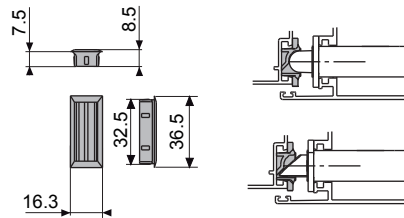
Art. 2619



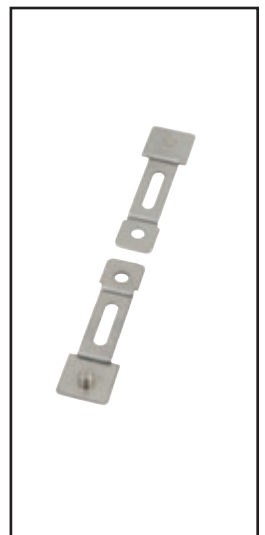
Art. 2618 Art. 2618A

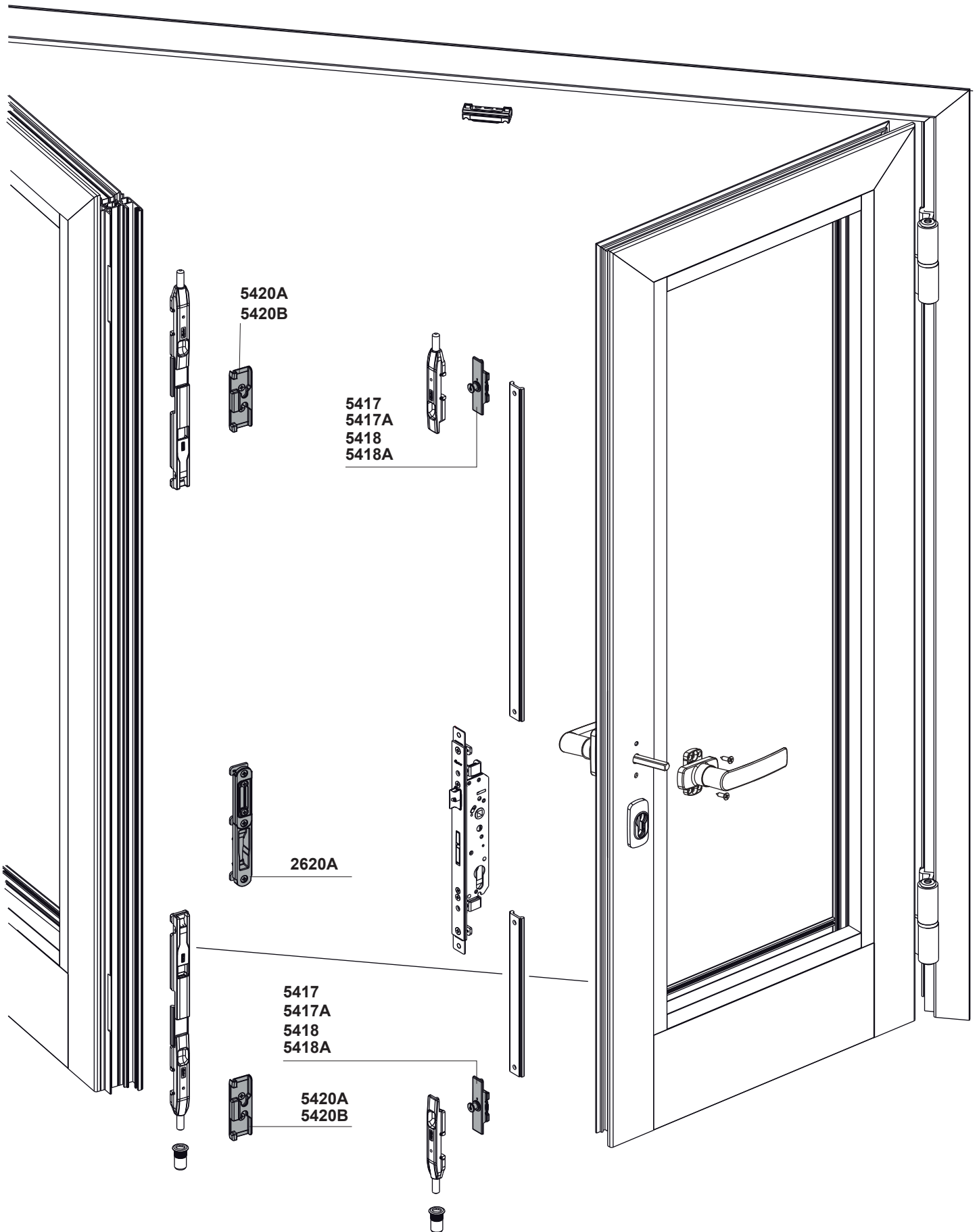


2618				10	
	2618A			2619	
	2619			50	
		C.E.	2501B	2503B	
		10x14.5	2501C	2503C	
	12x15	2501F	2503F		
	13.6x16.8	2501G	2503G		
	14x18		2523B		
			2523C		



2628			10
	C.E.	2503B	
	10x14.5	2503C	
	12x15	2503F	
	13.6x16.8	2503G	
	14x18	2523B	
		2523C	







2620A	Velox			10
		2501BA	2503BA	
		2501CA	2503CA	
		2501FA	2503FA	
		2501GA	2503GA	
			2523BA	
			2523CA	

Art. 5417
Art. 5417A

Art. 5418
Art. 5418A

5417	5418	5417A	5418A	A H				50
				17	21.1	5420A	5420B	
				19	20.8			
				20				
				15	19.1	5420B		
				15	18.8			

Art. 5420A

Art. 5420B

5420A	5420B			50
		5417	2503BA	
		5418	2503CA	
		5417A	2503FA	
		5418	2503GA	
		5418A	2523BA	
			2523CA	

fapim[®]

Fapim S.p.A.
Via delle Cerbaie, 114
55011 Altopascio (LU) Italy
T +39 0583 2601 F+39 0583 25291
www.fapim.it info@fapim.it
Cod.Fisc. e Part.I.V.A. 02224030466

DOMATIC[®]

DOMATIC
info@domatic.it www.domatic.it

fapim

BENELUX

Fapim Benelux s.p.r.l.b.v.b.a.
Avenue Rue St. Roch , 17
7712 Herseaux Belgium
T +32 56 340548
+32 56 341960
info@fapimbenelux.be

fapim

HISPANIA

Fapim Hispania s.L.
C/edison, esq. A. Ingeniero
Goicoechea 45600
Parcela, 74
Talavera De la Reina (Espana)
T +34 925 828357
F +34 925 841148
administración@fapimhispania.com
pedidos@fapimhispania.com

fapim

POLSKA

Fapim Polska sp. z o.o.
ul.Przyrzeczce 4 03-107
WarszawaNIP : 536-16-29-437
T +48 227813797
F +48 227811022
Gsm 609022972

fapim

RUSSIA

Fapim RU llc
Kaluzhskaya Region
Province Borovskiy, 99km.
main way "Ukraina", building 4A
T +7 48439 97207
info@fapimru.ru

fapim

ARGENTINA

Fapim Argentina S.A.
Buschiazco N° 347
(1611) Don Torcuato
Partido de Tigre
Buenos Aires - Argentina
T +54 (11) 48463545