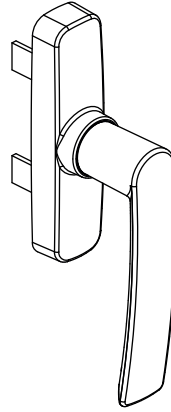
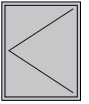


CREMONE BOLT

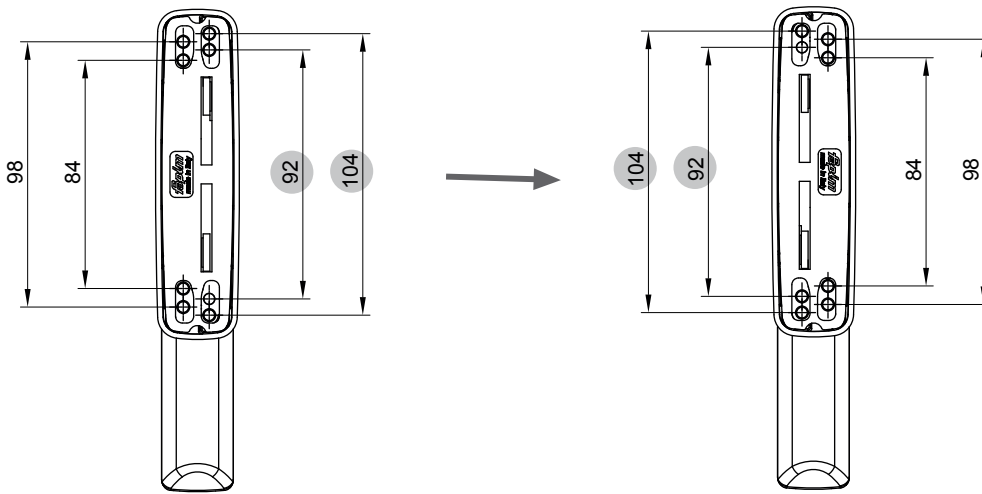
**GEA**

Art. 0540  
Art. 0541B  
Art. 0541BK  
Art. 0543B



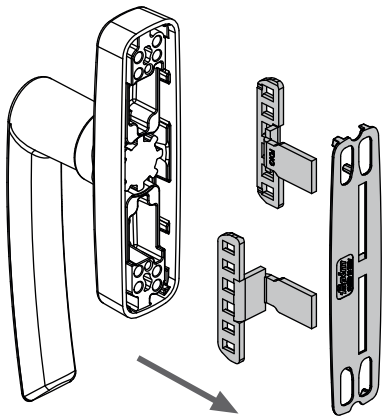
**fapim**<sup>®</sup>  
Life in evolution

ULBO - Rev.00

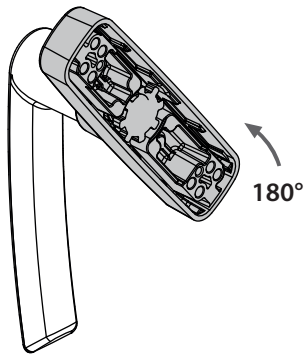


Standard

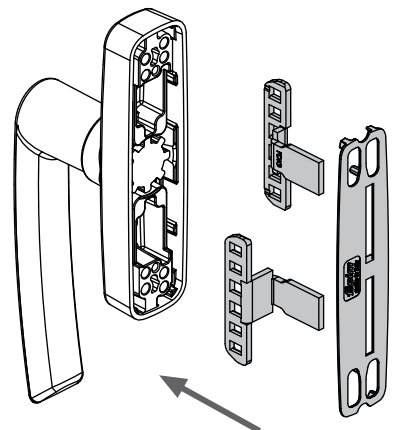
①

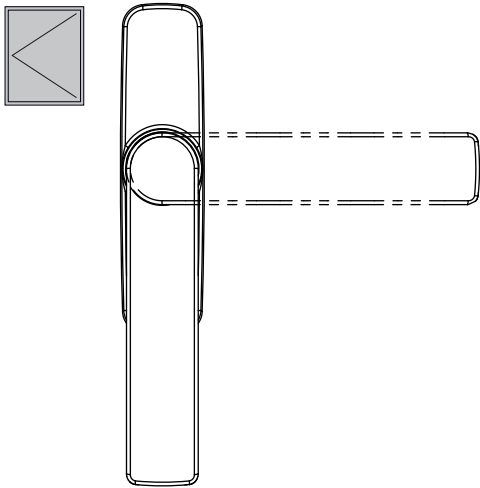


②

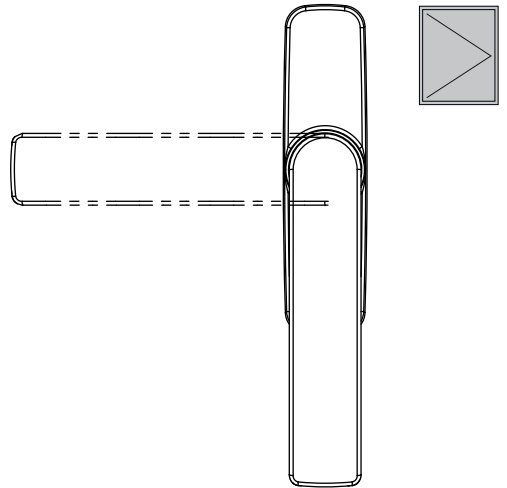


③

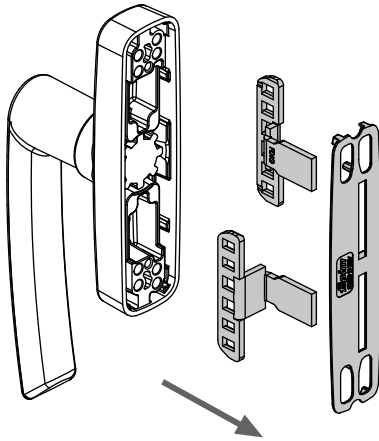




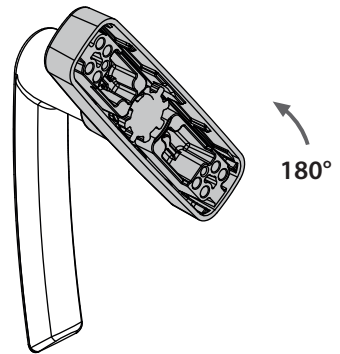
①



②



③



④

